

ILLUSTRATED

PARTS LIST

FOR

**SINGER**

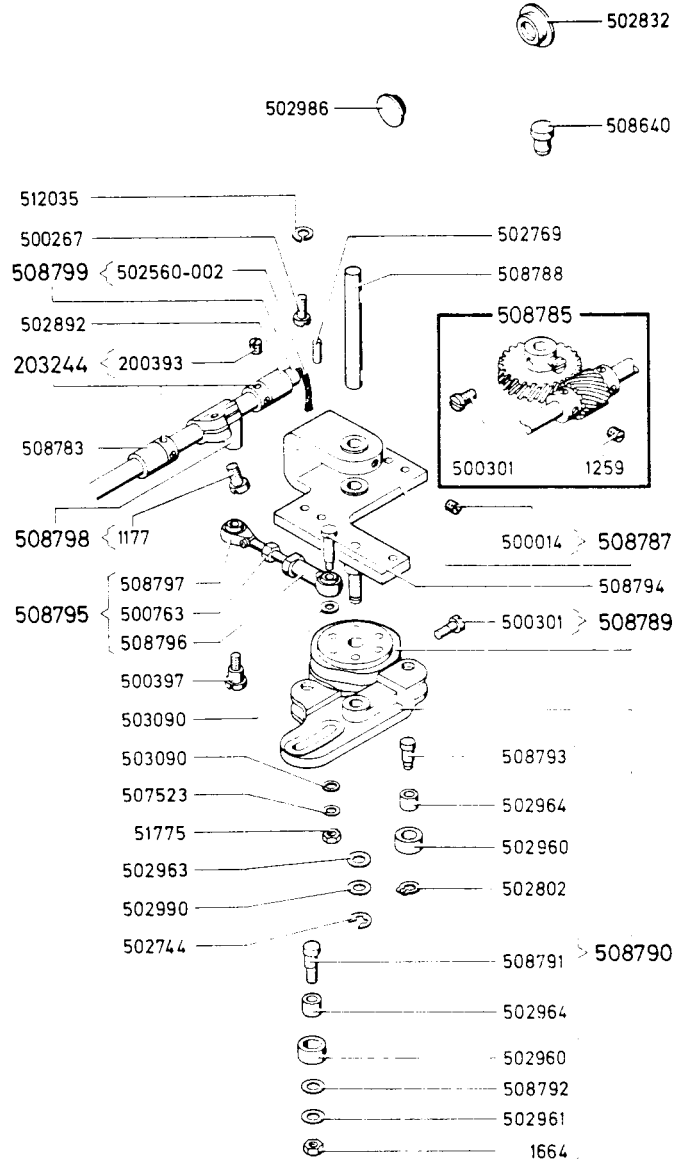
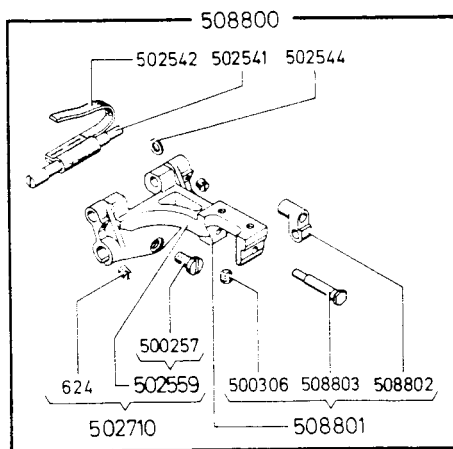
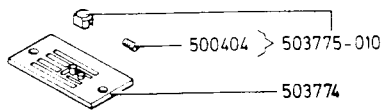
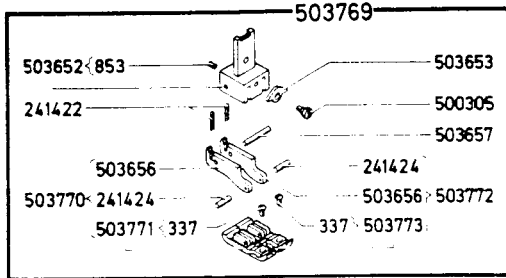
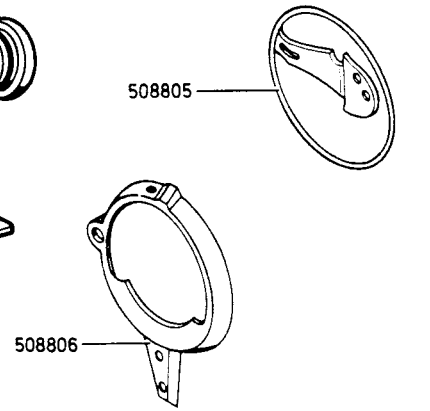
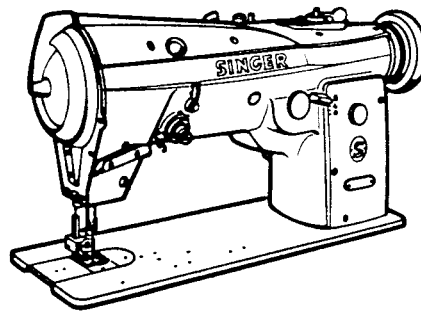
MACHINE

457 G140

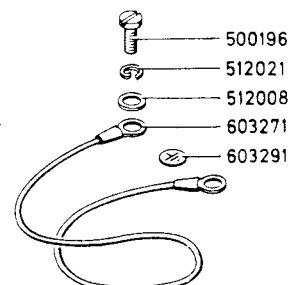
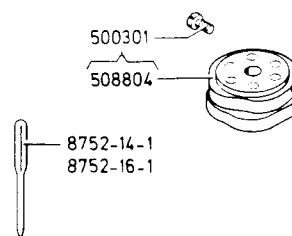
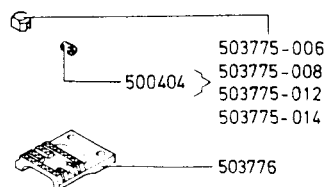
From the library of: Diamond Needle Corp

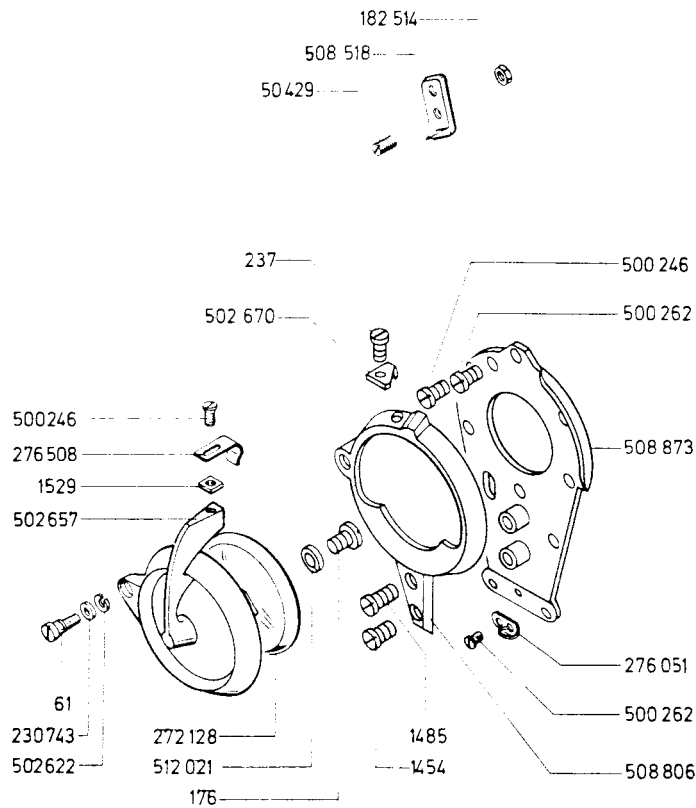
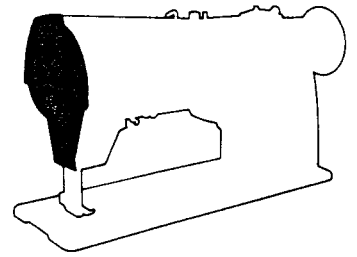
# SINGER

ILLUSTRATED  
PARTS LIST  
FORM-NO. 30-397 G  
(0769/996)  
FOR MACHINE 457 G 140



## ACCESSORIES



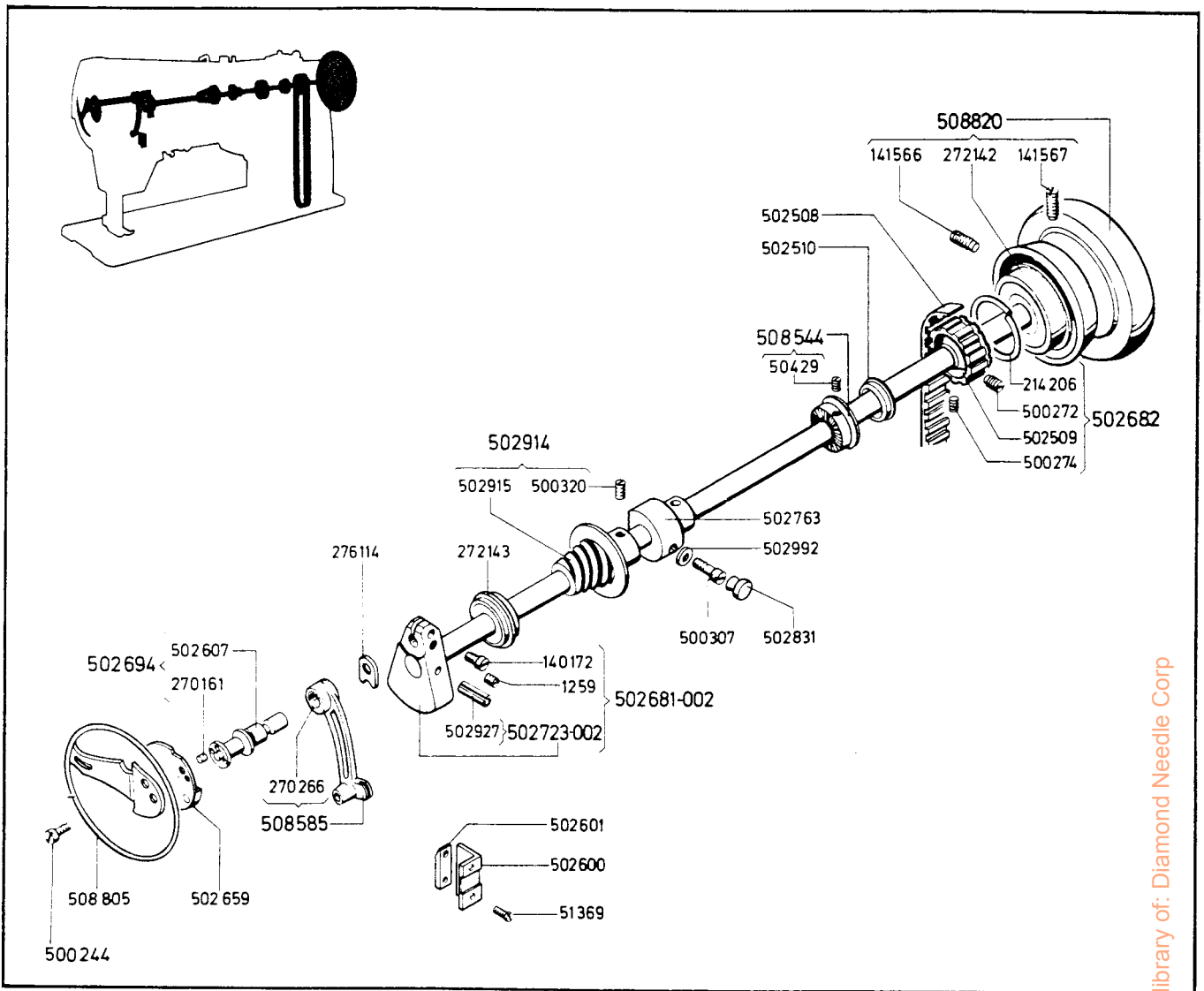


From the library of: Diamond Needle Corp

000061-850	ROTARY TAKE-UP GUARD HINGE SCREW	500246-850	FACE PLATE SCREW (8)
000176-850	ROTARY TAKE-UP GUARD COVER WINDOW SCREW	500246-850	ROTARY TAKE-UP GUARD SPRING CATCH SCREW
000237-833	THREAD CUTTER (ON ROTARY TAKE-UP GUARD SCREW)	500262-833	THREAD GUIDE (ON FACE PLATE) SCREW
001454-850	ROTARY TAKE-UP GUARD SCREW (SHORT)	500262-833	THREAD CUTTER (ON FACE PLATE) SCREW
001485-850	ROTARY TAKE-UP GUARD SCREW (LONG)	502670	THREAD CUTTER (ON ROTARY TAKE-UP GUARD)
001529-850	SPRING CATCH SCREW NUT	508518	THREAD CUTTER (ON FACE PLATE)
050429-833	THREAD CUTTER (ON FACE PLATE) ADJUSTING SCREW	508806	ROTARY TAKE-UP GUARD
182514-819	THREAD CUTTER (ON FACE PLATE) ADJUSTING SCREW NUT	508873	FACE PLATE
230743	HINGE SCREW THRUST WASHER	502622	ROTARY TAKE-UP GUARD HINGE SCREW SPRING WASHER
272128	ROTARY TAKE-UP GUARD COVER WINDOW	502657	ROTARY TAKE-UP GUARD COVER
276051	THREAD GUIDE (ON FACE PLATE)	512021	ROTARY TAKE-UP COVER WINDOW WASHER
276508	ROTARY TAKE-UP GUARD SPRING CATCH		

PART NO. DESCRIPTION

PART NO. DESCRIPTION



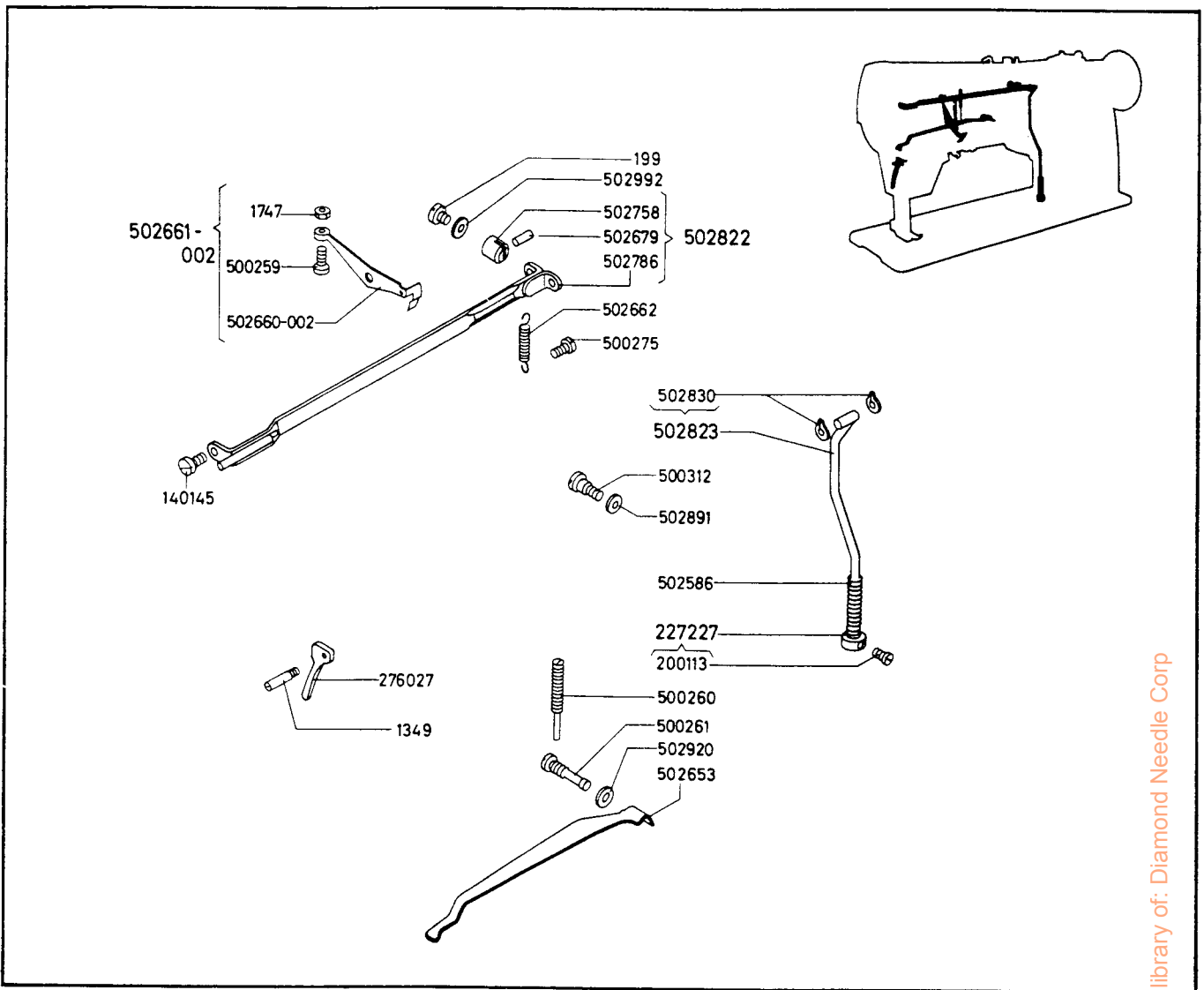
From the library of: Diamond Needle Corp

001259-830	NEEDLE BAR CRANK STUD POSITION SCREW
050429-833	BOBBIN WINDER DRIVING WHEEL SCREW
051369-850	NEEDLE BAR CONNECTING LINK CLAMPING PLATE SCREW (2)
140172-833	NEEDLE BAR CRANK STUD PINCH SCREW
141566-833	MACHINE PULLEY POSITION SCREW
141567-833	MACHINE PULLEY SET SCREW
214206	ARM SHAFT CONNECTION BELT PULLEY SPRING FLANGE
270161	NEEDLE BAR CRANK STUD PIN
270266	NEEDLE BAR CONNECTING LINK NEEDLE BEARING
272142	MACHINE PULLEY BALL BEARING
272143	ARM SHAFT BALL BEARING
276114	NEEDLE BAR CONNECTING LINK THRUST WASHER
500244-850	ROTARY TAKE-UP SCREW (2)
500272-830	ARM SHAFT CONNECTION BELT PULLEY SCREW
500274-830	ARM SHAFT CONNECTION BELT PULLEY POSITION SCREW
500307-850	ARM SHAFT BUSHING (CENTER) SCREW
500320-830	ARM HEAD OIL DRAIN WICK SLINGER SET SCREW (2)
502508	ARM SHAFT CONNECTION BELT
502509	ARM SHAFT CONNECTION BELT PULLEY
502510	ARM SHAFT OIL SHIELD

502600	NEEDLE BAR CONNECTING LINK GUIDE BLOCK
502601	NEEDLE BAR CONNECTING LINK CLAMP PLATE
502607	NEEDLE BAR CRANK STUD
502659	ROTARY TAKE-UP MOUNTING DISC
502681-002	ARM SHAFT WITH 1259, 140172 AND 502723-002
502682	ARM SHAFT CONNECTION BELT PULLEY CPL. NOS. 214206, 500272, 500274 AND 502509
502694	NEEDLE BAR CRANK STUD WITH 270161 AND 502607
502723-002	ARM SHAFT AND NEEDLE BAR CRANK WITH 502927
502763	ARM SHAFT BUSHING (CENTER)
502831	ARM SHAFT BUSHING (CENTER) SCREW PLUG
502914	ARM HEAD OIL DRAIN WICK SLINGER CPL. NOS. 502915 AND TWO 500302
502915	ARM HEAD OIL DRAIN WICK SLINGER
502927	ARM SHAFT AND NEEDLE BAR CRANK PIN
502992	ARM SHAFT BUSHING (CENTER) SCREW GASKET SCREW
508544	BOBBIN WINDER DRIVING WHEEL CPL. NOS. TWO 50429
508585	NEEDLE BAR CONNECTING LINK WITH 270266
508805	ROTARY TAKE-UP
508820	MACHINE PULLEY WITH 141566, 141567 AND 272142

PART NO. DESCRIPTION

PART NO. DESCRIPTION



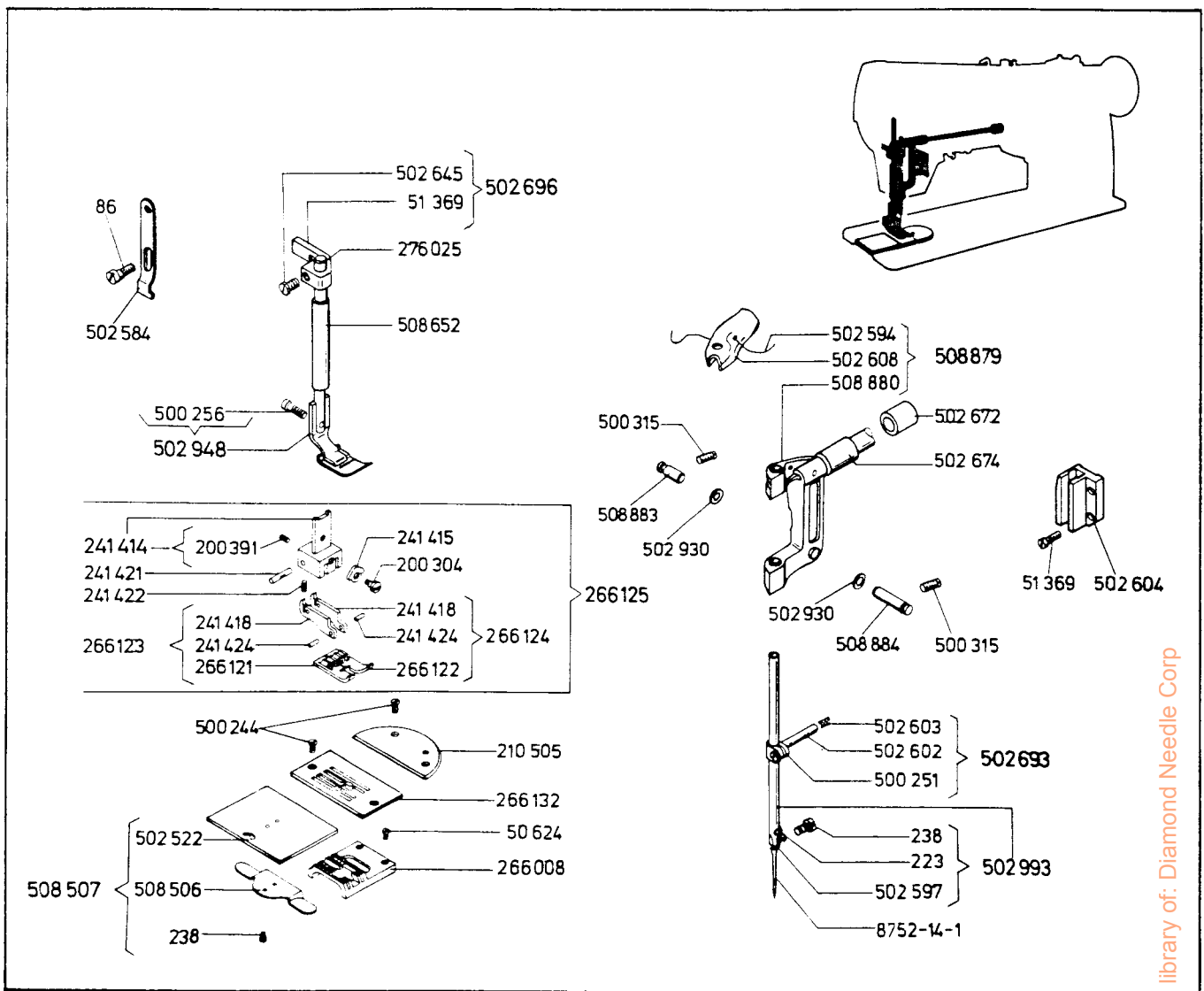
From the library of: Diamond Needle Corp

000199-850 KNEE LIFTER ROCK FRAME HINGE STUD LOCK SCREW  
 001349-850 PRESSER BAR LIFTER HINGE SCREW  
 001747-850 TENSION RELEASER ADJUSTING SCREW LOCK NUT  
 140145-803 KNEE LIFTER LIFTING FRAME HINGE SCREW  
 200113-850 KNEE LIFTER LIFTING ROD COLLAR SET SCREW  
 276027 PRESSER BAR LIFTER  
 227227 KNEE LIFTER LIFTING ROD COLLAR WITH 200113  
 500259-803 TENSION RELEASER ADJUSTING SCREW  
 500260-833 PRESSER BAR SPRING SCREW  
 500261-850 PRESSER BAR SPRING SCREW STUD  
 500275-850 TENSION RELEASER HINGE SCREW  
 500312-850 SINGER LIGHT STUD HOLE SCREW PLUG (FOR UN-USED HOLE)

502586 KNEE LIFTER LIFTING ROD SPRING  
 502653 PRESSER BAR SPRING  
 502660-002 TENSION RELEASER  
 502661-002 TENSION RELEASER CPL. NOS. 1747, 500259 AND 502660-002  
 502662 TENSION RELEASER SPRING  
 502679 KNEE LIFTER ROCK FRAME HINGE STUD PIN  
 502758 KNEE LIFTER ROCK FRAME HINGE STUD  
 502786 KNEE LIFTER ROCK FRAME  
 502822 KNEE LIFTER ROCK FRAME WITH 502679, 502758 AND 502786  
 502823 KNEE LIFTER LIFTING ROD WITH TWO 502830  
 502830 KNEE LIFTER LIFTING ROD GRIP RING (2)  
 502891 SINGER LIGHT STUD HOLE SCREW PLUG GASKET  
 502920 PRESSER BAR SPRING SCREW STUD GASKET  
 502992 ARM SHAFT BUSHING (CENTER) SCREW GASKET RING

PART NO. DESCRIPTION

PART NO. DESCRIPTION

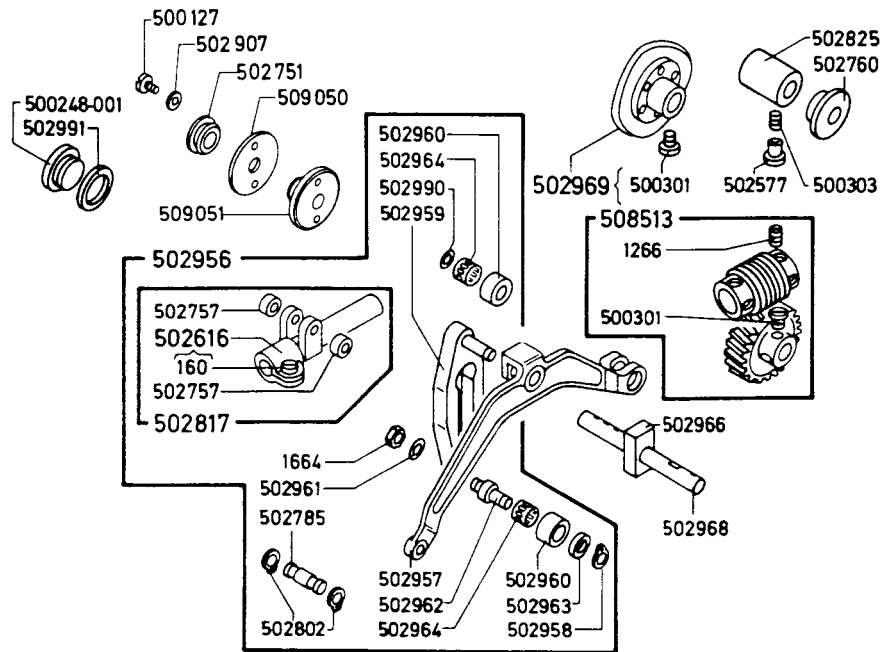
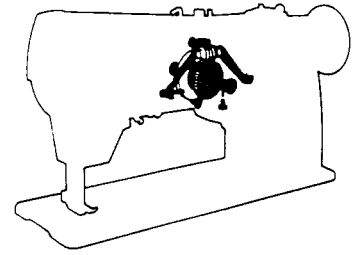


From the library of: Diamond Needle Corp

000086-850	KNEE LIFTER LIFTING LINK SCREW	500244-850	BED PLATE SCREW (BACK) AND THROAT PLATE SCREW (4)
000223-850	NEEDLE SET SCREW	500251-850	NEEDLE BAR CONNECTING STUD PINCH SCREW
000238-850	NEEDLE BAR THREAD GUIDE SET SCREW	500256-850	PRESSER FOOT SCREW
000238-850	BED SLIDE SPRING SCREW (2)	500315-830	NEEDLE BAR YOKE GUIDE SET SCREW (2)
008752-14-1	NEEDLE (142)	502522	BED SLIDE
050624-830	FEED DOG SCREW (2)	502584	KNEE LIFTER LIFTING LINK
051369-850	NEEDLE BAR CONNECTING STUD GUIDE BLOCK SCREW (2)	502594	NEEDLE BAR OIL FELT CORD
051369-850	PRESSER BAR POSITION GUIDE PINCH SCREW	502597	NEEDLE BAR THREAD GUIDE
200304-804	PRESSER FOOT COMPENSATING CONNECTION HINGE SCREW	502602	NEEDLE BAR CONNECTING STUD
200391-833	PRESSER FOOT BRACKET SET SCREW	502603	NEEDLE BAR CONNECTING STUD OIL WICK
210505	BED PLATE (BACK)	502604	NEEDLE BAR CONNECTING STUD GUIDE BLOCK
241414	PRESSER FOOT BRACKET WITH 200391	502608	NEEDLE BAR OIL FELT
241415	PRESSER FOOT CONNECTION LEVER	502645	PRESSER BAR POSITION GUIDE
241418	PRESSER FOOT SHANK (LEFT AND RIGHT) (2)	502672	NEEDLE BAR YOKE BEARING (BACK)
241421	PRESSER FOOT BRACKET HINGE PIN	502674	NEEDLE BAR YOKE BEARING (FRONT)
241422	PRESSER FOOT SHANK SPRING	502693	NEEDLE BAR CONNECTING STUD WITH 500251, 502602 AND 502603
241424	PRESSER FOOT SOLE (RIGHT AND LEFT) (2)	502696	PRESSER BAR POSITION GUIDE WITH 51369 AND 502645
266008	FEED DOG	502930	NEEDLE BAR YOKE GUIDE SEAL (FRONT AND REAR)
266121	PRESSER FOOT PLATE (LEFT)	502948	PRESSER BAR WITH PRESSER FOOT SCREW 500256
266122	PRESSER FOOT PLATE (RIGHT)	502993	NEEDLE BAR CPL. NOS. 223, 238 AND 502597
266123	PRESSER FOOT COMPENSATING SHANK (LEFT) CPL. NOS. 241418, 241424 AND 266121	508506	BED SLIDE SPRING
266124	PRESSER FOOT COMPENSATING SHANK (RIGHT) CPL. NOS. 241418, 241424 AND 266122	508507	BED SLIDE CPL. NOS. 502522, 508506 AND TWO 238
266125	PRESSER FOOT (HINGED) (COMPENSATING) CPL. NOS. 200304, 241414, 241415, 241421, 241422, 266123 AND 266124	508652	PRESSER BAR BUSHING
266132	THROAT PLATE	508879	NEEDLE BAR YOKE WITH OIL FELT CPL. NOS. 502608, 502594 AND 508880
276025	PRESSER BAR BALL	508880	NEEDLE BAR YOKE
		508883	NEEDLE BAR YOKE GUIDE (REAR)
		508884	NEEDLE BAR YOKE GUIDE (FRONT)

PART NO. DESCRIPTION

PART NO. DESCRIPTION



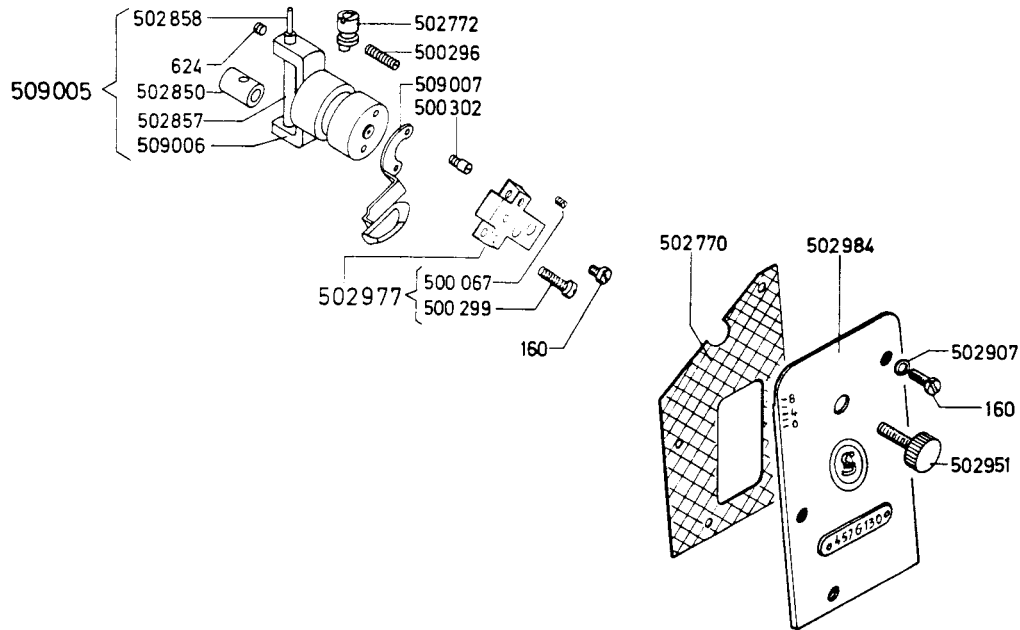
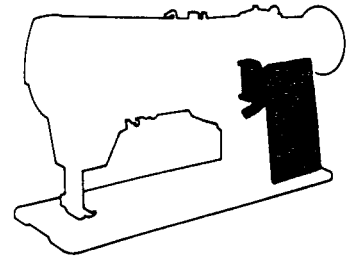
From the library of: Diamond Needle Corp

000160-850	NEEDLE BAR YOKE CONNECTING LINK HINGE BEARING PINCH SCREW
001266-830	NEEDLE VIBRATING WORM WHEEL SET SCREW (4)
001664-850	NEEDLE VIBRATING CAM ROLLER STUD NUT
500127-850	NEEDLE VIBRATING ECCENTRIC SHAFT BUSHING (BACK) SCREW
500248-001	ARM PLUG SCREW
500301-850	NEEDLE VIBRATING WORM GEAR SCREW (2)
500301-850	NEEDLE VIBRATING CAM SCREW (2)
500303-869	NEEDLE VIBRATING CAM SHAFT BUSHING (FRONT) SET SCREW
502577	NEEDLE VIBRATING CAM SHAFT BUSHING (FRONT) SET SCREW PLUG
502616	NEEDLE BAR YOKE CONNECTING LINK HINGE BEARING WITH 160
502751	NEEDLE VIBRATING CAM SHAFT BUSHING (BACK) PLUG
502757	NEEDLE BAR YOKE CONNECTING LINK HINGE BEARING BUSHING (2)
502760	NEEDLE VIBRATING CAM SHAFT BUSHING (FRONT) PLUG
502785	NEEDLE BAR YOKE CONNECTING LINK HINGE BEARING STUD
502802	NEEDLE BAR YOKE CONNECTING LINK HINGE BEARING STUD SNAP RING (2)
502817	NEEDLE BAR YOKE CONNECTING LINK HINGE BEARING WITH 502616 AND TWO 502757

502825	NEEDLE VIBRATING CAM SHAFT BUSHING (FRONT)
502907	NEEDLE VIBRATING ECCENTRIC SHAFT BUSHING (BACK) GASKET RING
502956	NEEDLE BAR YOKE CONNECTING LINK CPL. 1664, 502785, 502963, 502817, 502957, 502959, 502961, 502962, 502990, AND TWO EACH 502802, 502958, 502960, 502963 AND 502964
502957	NEEDLE BAR YOKE CONNECTING LINK
502958	NEEDLE BAR YOKE CONNECTING LINK SNAP RING (2)
502959	NEEDLE VIBRATING CAM ROLLER GUIDE
502960	NEEDLE VIBRATING CAM ROLLER (2)
502961	NEEDLE VIBRATING CAM ROLLER STUD SPRING WASHER
502962	NEEDLE VIBRATING CAM ROLLER STUD
502963	NEEDLE VIBRATING CAM ROLLER STUD WASHER
502964	NEEDLE VIBRATING CAM ROLLER NEEDLE BEARING CAGE (2)
502966	NEEDLE VIBRATING CAM SHAFT SLIDE BLOCK
502968	NEEDLE VIBRATING CAM SHAFT
502969	NEEDLE VIBRATING CAM WITH TWO 500301
502990	NEEDLE VIBRATING CAM ROLLER SPRING WASHER
502991	ARM PLUG SCREW GASKET RING
508513	PAIR OF NEEDLE VIBRATING WORM AND NEEDLE VIBRATING WORM WHEEL WITH TWO 500301 AND FOUR 1266
509050	NEEDLE VIBRATING ECCENTRIC SHAFT BUSHING (BACK) SPACER
509051	NEEDLE VIBRATING ECCENTRIC SHAFT BUSHING (BACK)

PART NO. DESCRIPTION

PART NO. DESCRIPTION



From the library of: Diamond Needle Corp

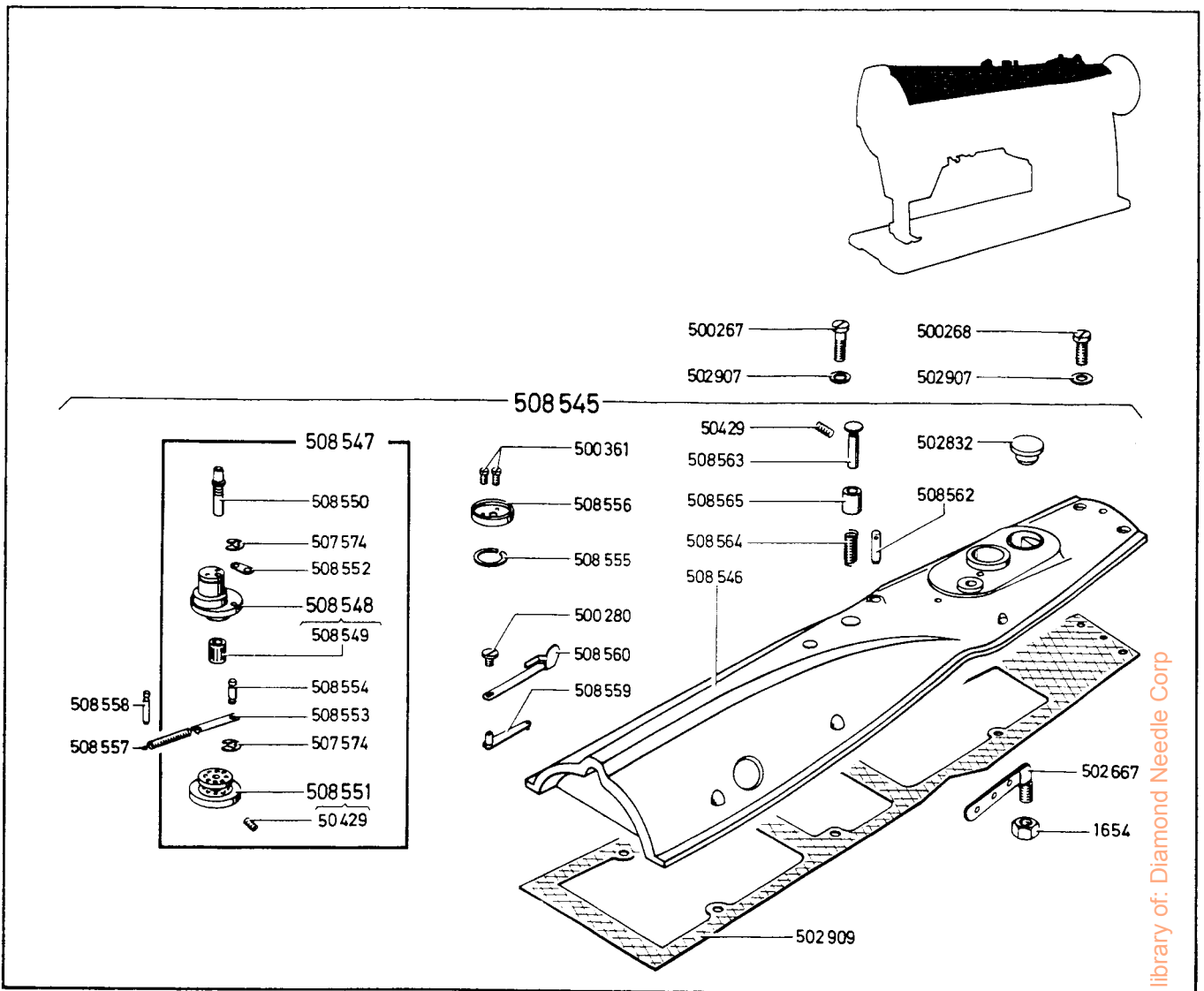
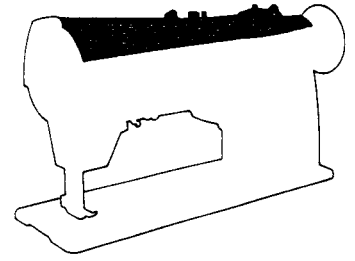
000160-850	NEEDLE POSITION ADJUSTING CAM SLIDING BLOCK BRACKET SCREW (2)
000160-850	ARM COVER (FRONT) SCREW (3)
000624-833	NEEDLE BAR YOKE CONNECTING LINK CARRIER FRAME SLIDE STUD SET SCREW (2)
500067-833	NEEDLE POSITION ADJUSTING CAM STOP SCREW SET SCREW (2)
500296-833	NEEDLE POSITION ADJUSTING CAM REGULATING STUD SET SCREW
500299-805	NEEDLE POSITION ADJUSTING CAM STOP SCREW (2)
500302-803	NEEDLE BAR YOKE CONNECTING LINK CARRIER FRAME BUSHING SET SCREW (2)
502770	ARM COVER (FRONT) GASKET
502772	NEEDLE POSITION ADJUSTING CAM REGULATING STUD

502850	NEEDLE BAR YOKE CONNECTING LINK SLIDE BEARING
502857	NEEDLE BAR YOKE CONNECTING LINK CARRIER FRAME SLIDE STUD
502858	NEEDLE BAR YOKE CONNECTING LINK CARRIER FRAME SLIDE STUD OIL WICK
502907	ARM COVER (BACK) SCREW RING (4)
502951-850	NEEDLE POSITION ADJUSTING CAM SET SCREW
502977	NEEDLE POSITION ADJUSTING CAM SLIDE BLOCK BRACKET WITH 502974
502984	ARM COVER (FRONT)
509005	NEEDLE BAR YOKE CONNECTING LINK CARRIER FRAME CPL. NOS. 502850, 502857, 509006 AND TWO 624
509006	NEEDLE BAR YOKE CONNECTING LINK CARRIER FRAME
509007	NEEDLE POSITION ADJUSTING LEVER

PART NO. DESCRIPTION

PART NO. DESCRIPTION





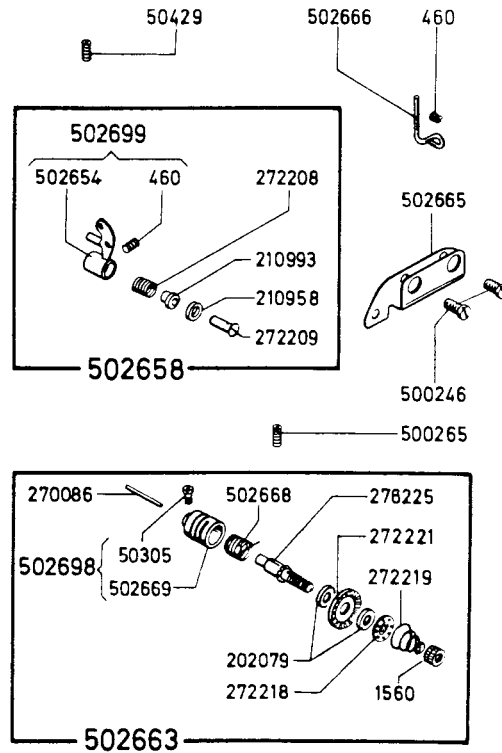
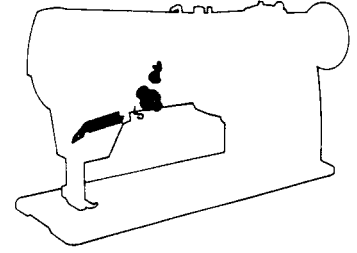
From the library of: Diamond Needle Corp

001654-850	THREAD RETAINER LOCK NUT
050429-833	BOBBIN WINDER SHAFT FRICTION WHEEL PIN (2)
050429-833	ARM COVER (TOP) THREAD TENSION STUD PIN
500267-850	ARM COVER (TOP) SCREW (LONG) (2)
500268-850	ARM COVER (TOP) SCREW (SHORT) (2)
500280-850	ARM (TOP) TRIP LEVER FASTENING SCREW
500361-850	BOBBIN WINDER SHAFT BUSHING (ECCENTRIC) THREAD GUARD FASTENING SCREW (2)
502667	THREAD RETAINER
502832	ARM COVER (TOP) PLUG
502907	ARM COVER (TOP) SCREW (LONG AND SHORT) (4)
502909	ARM COVER (TOP) GASKET
507574	BOBBIN WINDER SHAFT BUSHING (ECCENTRIC) LINK STUD LOCKING WASHER (2)
508545	ARM COVER (TOP) WITH BOBBIN WINDER CPL. NOS. 50429, 500280, 502832, 508546, 508555, TO 508560, 508562 TO 508565 TWO EACH 500361, 508561, 502667, 1654 AND 508547
508546	ARM COVER (TOP)
508547	BOBBIN WINDER SHAFT BUSHING (ECCENTRIC) WITH FRICTION WHEEL CPL. NOS. 508548, 508550 TO 508554, TWO 507574

508548	BOBBIN WINDER SHAFT BUSHING (ECCENTRIC) WITH 508549
508549	BOBBIN WINDER SHAFT BUSHING (ECCENTRIC) ROLLER CLUTCH
508550	BOBBIN WINDER SHAFT
508551	BOBBIN WINDER SHAFT FRICTION WHEEL WITH TWO 50429
508552	BOBBIN WINDER SHAFT BUSHING (ECCENTRIC)
508553	BOBBIN WINDER SHAFT BUSHING (ECCENTRIC) SPRING SHACKLE
508554	BOBBIN WINDER SHAFT BUSHING (ECCENTRIC) LINK STUD
508555	BOBBIN WINDER SHAFT BUSHING (ECCENTRIC) SNAP RING
508556	BOBBIN WINDER SHAFT BUSHING (ECCENTRIC) THREAD GUARD
508557	BOBBIN WINDER SHAFT BUSHING (ECCENTRIC) COIL SPRING
508558	BOBBIN WINDER SHAFT BUSHING (ECCENTRIC) COIL SPRING STUD
508559	ARM COVER (TOP) ROCKING LEVER
508560	ARM COVER (TOP) TRIP LEVER
508562	ARM COVER (TOP) THREAD GUIDE STUD
508563	ARM COVER (TOP) THREAD TENSION STUD
508564	ARM COVER (TOP) THREAD TENSION STUD SPRING
508565	ARM COVER (TOP) THREAD TENSION STUD DISC

PART NO. DESCRIPTION

PART NO. DESCRIPTION

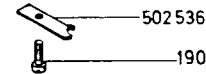
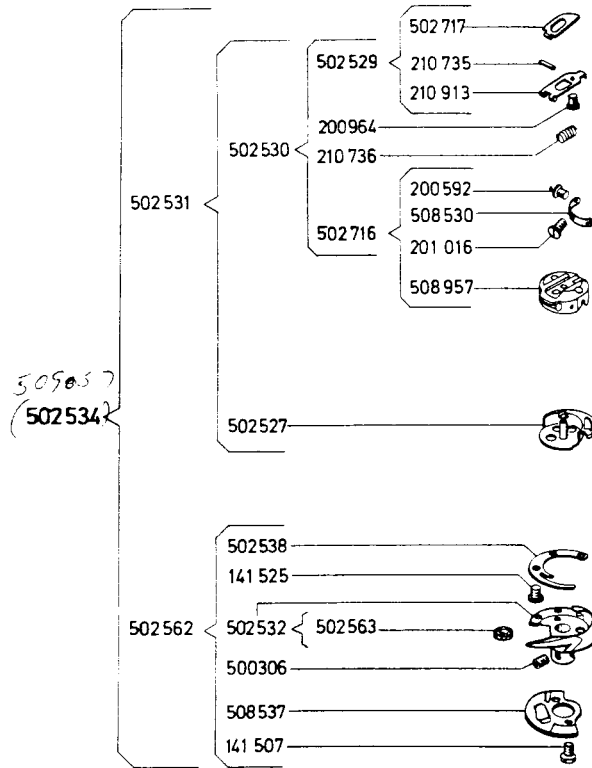
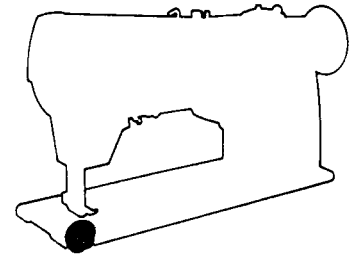


From the library of: Diamond Needle Corp

000460-833	THREAD PULL OFF SET SCREW	276225	TENSION STUD
000460-833	PRETENSION BRACKET SCREW	500246-850	THREAD GUIDE SCREW (2)
001560-850	TENSION THUMB NUT	500265-833	THREAD REGULATOR SET SCREW
050305-850	TENSION STUD SET SCREW	502654	PRETENSION BRACKET
050429-833	PRETENSION BRACKET SCREW	502658	PRETENSION BRACKET CPL. NOS. 210958, 210993, 272208, 272209 AND 502699
202079	TENSION FELT WASHER (2)	502663	TENSION CPL. NOS. 1560, 270086, 272218, 272219, 272221, 276225, 502668, 502698 AND TWO 202079
210958	PRETENSION BRACKET COLLAR	502665	THREAD GUIDE
210993	PRETENSION BRACKET SLEEVE	502666	THREAD PULL OFF
270086	TENSION RELEASING PIN	502668	THREAD TAKE-UP SPRING
272208	PRETENSION BRACKET SPRING	502669	THREAD TAKE-UP SPRING REGULATOR
272209	PRETENSION BRACKET STUD	502698	THREAD TAKE-UP SPRING REGULATOR 502669 WITH 50305
272218	TENSION RELEASING DISC	502699	PRETENSION BRACKET WITH 460 AND 502654
272219	TENSION SPRING		
272221	TENSION WHEEL		

PART NO. DESCRIPTION

PART NO. DESCRIPTION



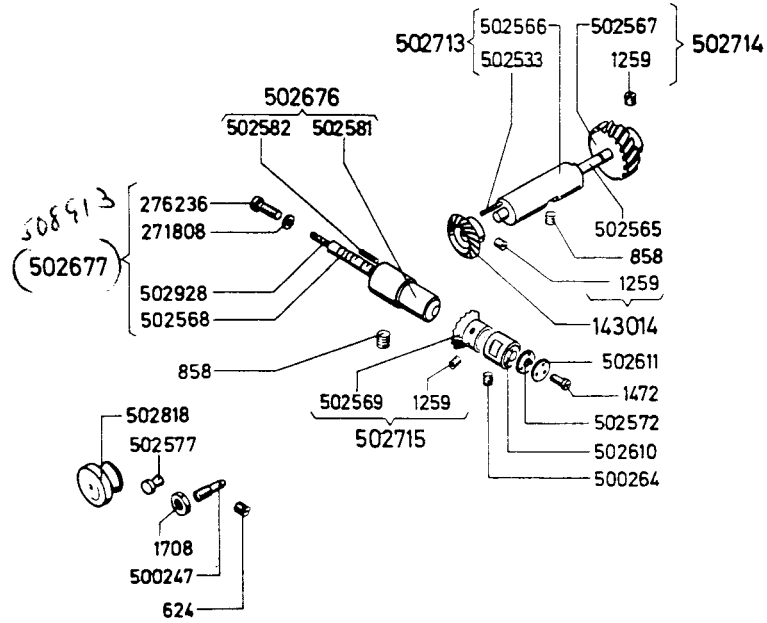
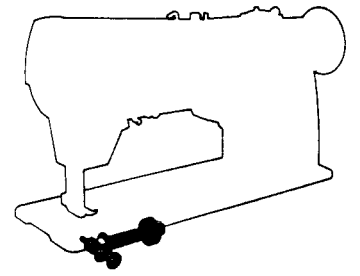
From the library of: Diamond Needle Corp

000190-850	BOBBIN CASE STOP SCREW
141507-803	HOOK NEEDLE GUARD AND COUNTERBALANCE SCREW
141525-806	HOOK GIB SCREW (3)
200592-803	BOBBIN CASE CAP TENSION SPRING SCREW
200964-803	BOBBIN CASE LATCH STOP SCREW
201016-803	BOBBIN CASE CAP TENSION SPRING REGULATING SCREW
210735	BOBBIN CASE FULCRUM PIN
210736	BOBBIN CASE LATCH SPRING
210913	BOBBIN CASE LATCH
233028	BOBBIN
500306-869	HOOK SET SCREW (2)
502527	BOBBIN CASE BASE
502529	BOBBIN CASE LATCH CPL. NOS. 210735, 210913 AND 502717

502530	BOBBIN CASE CAP CPL. NOS. 200964, 210736, 502529 AND 502716
502531	BOBBIN CASE CAP CPL. NOS. 502527 AND 502530
502532	HOOK BODY WITH 502563
502534	HOOK AND BOBBIN CASE CPL. NOS. 502531 AND 502562
502536	BOBBIN CASE STOP
502538	HOOK GIB
502562	HOOK CPL. NOS. 141507, 502532, 502538, 508537, TWO 500306 AND THREE 141525
502563	HOOK OIL RETAINING WASHER
502716	BOBBIN CASE CAP CPL. NOS. 508957, 508530, 200592 AND 201016
502717	BOBBIN CASE LATCH LEVER
508530	BOBBIN CASE TENSION SPRING
508537	HOOK NEEDLE GUARD AND COUNTERBALANCE
508957	BOBBIN CASE CAP

PART NO. DESCRIPTION

PART NO. DESCRIPTION



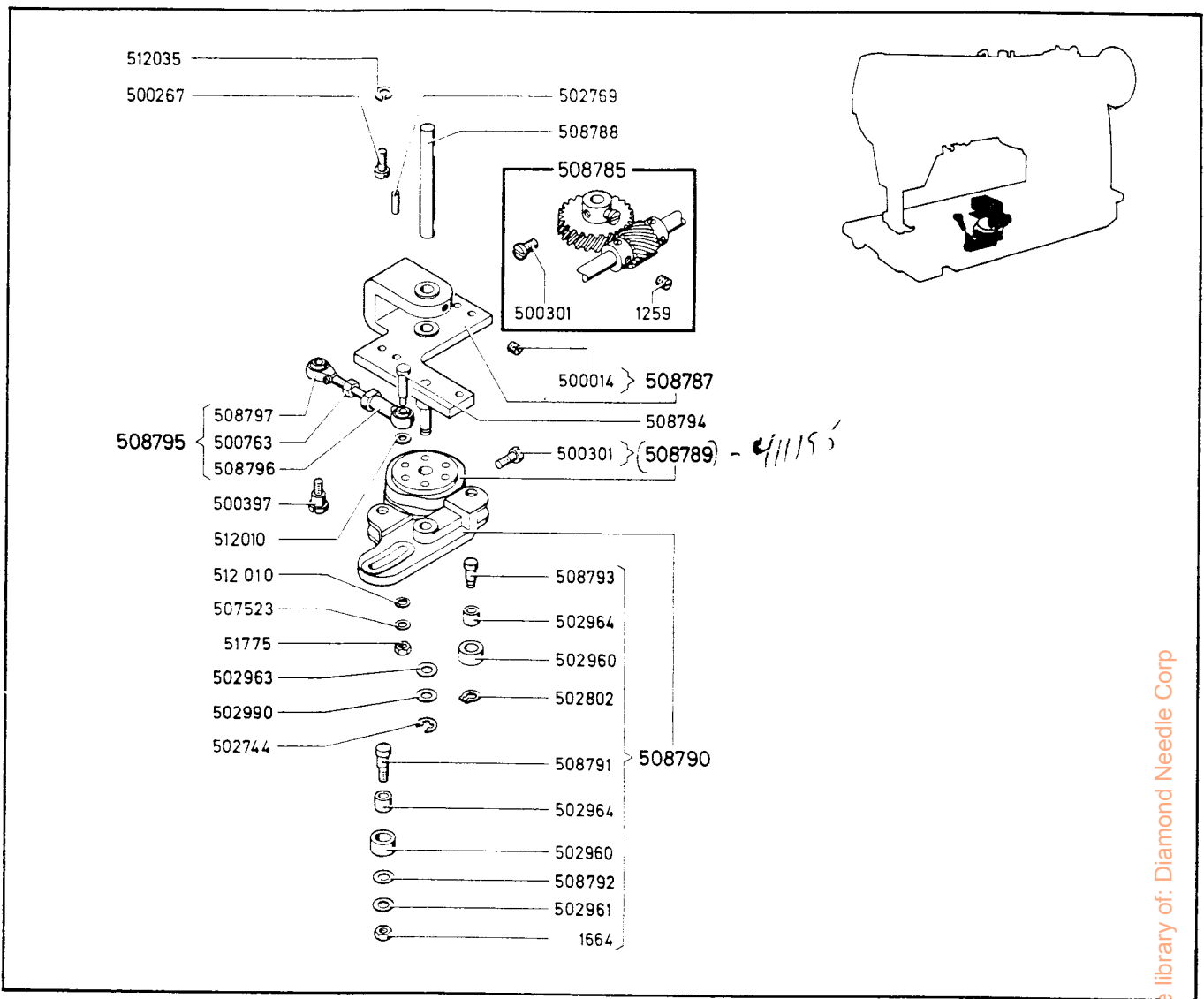
From the library of: Diamond Needle Corp

000624-833	HOOK OIL BYPASS PLUG SCREW
000858-833	HOOK DRIVING SHAFT BUSHING SET SCREW
000858-833	HOOK SHAFT PRESSURE BUSHING SET SCREW
001259-830	HOOK DRIVING SHAFT HELICAL GEAR SET SCREW (2)
001259-830	HOOK DRIVING SHAFT BEVEL GEAR SET SCREW (2)
001259-830	HOOK SHAFT BEVEL GEAR SET SCREW (2)
001472-850	HOOK SHAFT BUSHING (FRONT) SET SCREW (3)
001708-850	HOOK OIL BYPASS PLUG SCREW NUT
143014	HOOK DRIVING SHAFT BEVEL GEAR WITH TWO 1259
271808	HOOK SHAFT OIL FILTER WICK HOLDER SEAL
276236-803	HOOK SHAFT OIL WICK HOLDER
500247-833	HOOK OIL REGULATING SCREW
500264-830	HOOK SHAFT FRONT SET SCREW
502533	HOOK DRIVING SHAFT BUSHING OIL WICK
502565	HOOK DRIVING SHAFT
502566	HOOK DRIVING SHAFT BUSHING
502567	HOOK DRIVING SHAFT HELICAL GEAR
502568	HOOK SHAFT

502569	HOOK SHAFT BEVEL GEAR
502572	HOOK SHAFT BUSHING CAP GASKET
502577	HOOK SHAFT GEAR BOX PLUG
502581	HOOK SHAFT PRESSURE BUSHING
502582	HOOK SHAFT PRESSURE BUSHING OIL WICK
502610	HOOK SHAFT BUSHING (FRONT)
502611	HOOK SHAFT BUSHING CAP
502676	HOOK SHAFT PRESSURE BUSHING 502581 WITH 502582
502677	HOOK SHAFT FILTER CPL. NOS. 271808, 276236, 502568, 502928
502713	HOOK DRIVING SHAFT BUSHING WITH 502533 AND 502566
502714	HOOK DRIVING SHAFT HELICAL GEAR 502567 WITH TWO 1259
502715	HOOK SHAFT BEVEL GEAR 502569 WITH TWO 1259
502818	HOOK GEAR BOX VENT CAP
502928	HOOK SHAFT OIL FILTER FELT (WICK)

PART NO. DESCRIPTION

PART NO. DESCRIPTION

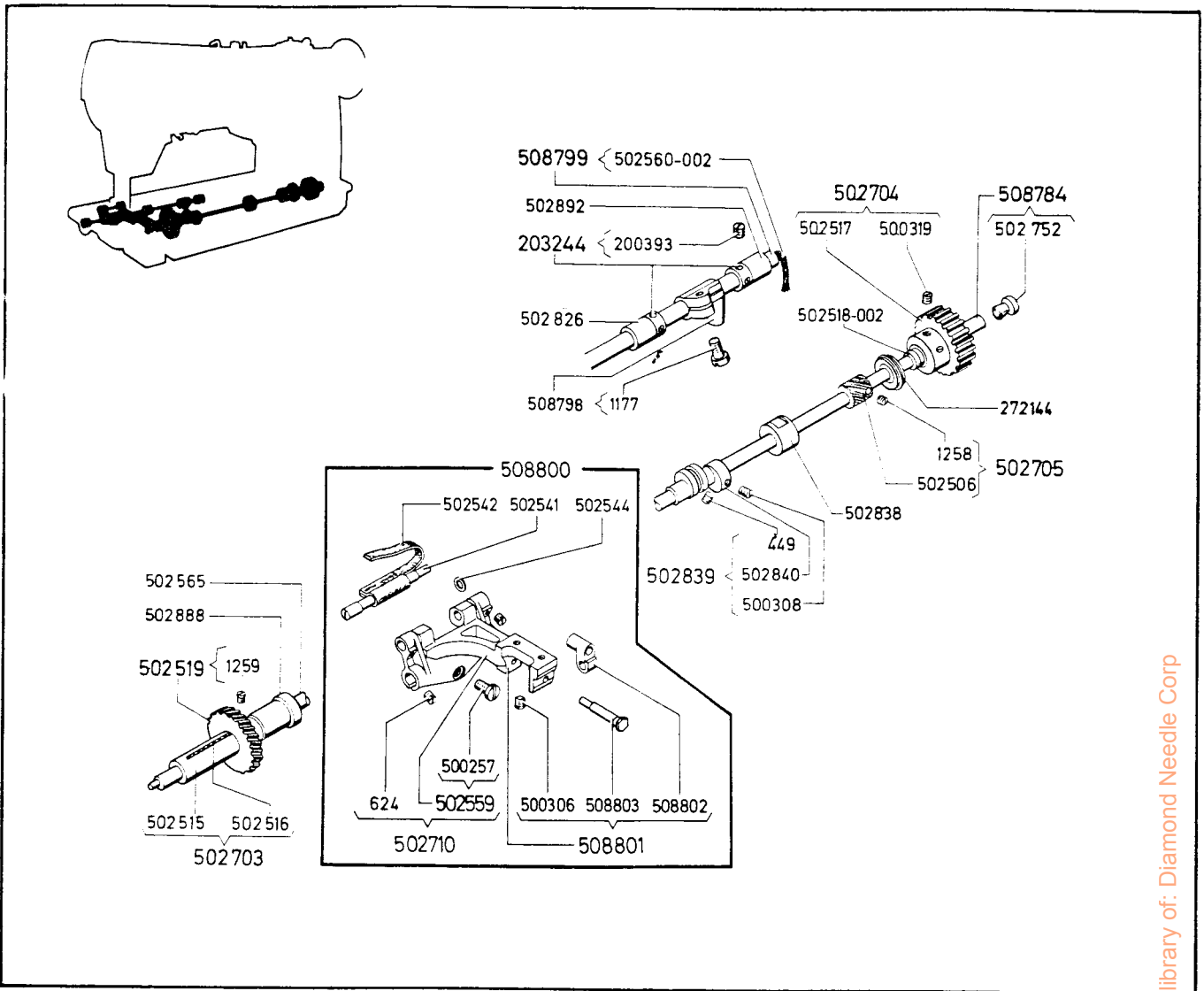


From the library of: Diamond Needle Corp

001259-830	FEED CONTROL CAM WHEEL AND WORM GEAR
001664-850	FEED CONTROL CAM FOLLOWER ARM RETAINING NUT
051775-850	FEED CONTROL CONNECTION CRANK ADJUSTING LOCK NUT
500014-850	FEED CONTROL CAM MOUNTING BRACKET BUSHING SET SCREW
500267-850	FEED CONTROL CAM MOUNTING BRACKET SCREW (3)
500301-850	FEED CONTROL CAM SET SCREW (2)
500301-850	FEED CONTROL CAM WORM WHEEL AND WORM GEAR SCREW (2)
500397-805	FEED CONTROL CONNECTION HINGE SCREW
500763-805	FEED CONTROL CONNECTION LOCK NUT
502744	FEED CONTROL CAM FOLLOWER ARM RETAINING RING
502769	FEED CONTROL CAM MOUNTING BRACKET POSITION PIN (2)
502802	FEED CONTROL CAM FOLLOWER ARM HINGE PIN RETAINING RING
502960	FEED CONTROL CAM FOLLOWER (2)
502961	FEED CONTROL CAM FOLLOWER BELLEVILLE WASHER
502963	FEED CONTROL CAM FOLLOWER ARM WASHER
502964	FEED CONTROL CAM FOLLOWER ARM NEEDLE BEARING (2)
502990	FEED CONTROL CAM FOLLOWER ARM BELLEVILLE WASHER

507523	FEED CONTROL CONNECTION ADJUSTING SCREW
508785	BELLEVILLE WASHER
508785	FEED CONTROL CAM WORM WHEEL AND WORM GEAR CPL. NOS. 1259 AND 500301
508787	FEED CONTROL CAM MOUNTING BRACKET WITH 500014
508788	FEED CONTROL CAM SHAFT
508789	FEED CONTROL CAM WITH 500301
508790	FEED CONTROL CAM FOLLOWER CPL. NOS. 1664, 502802, 502960, 502961, 502964, 508791, 508792 AND 508793
508791	FEED CONTROL CAM FOLLOWER ARM HINGE SCREW
508792	FEED CONTROL CAM FOLLOWER ARM HINGE SCREW WASHER
508793	FEED CONTROL CAM FOLLOWER ARM HINGE PIN
508794	FEED CONTROL CONNECTION ADJUSTING SCREW
508795	FEED CONTROL CONNECTION CPL. NOS. 500763, 508796 AND 508797
508796	FEED CONTROL CONNECTION BALL JOINT (FEMALE)
508797	FEED CONTROL CONNECTION BALL JOINT (MALE)
512010	FEED CONTROL CAM FOLLOWER ARM WASHER (2)
512035	FEED CONTROL CAM MOUNTING BRACKET SCREW LOCK WASHER (3)

PART NO.	DESCRIPTION	PART NO.	DESCRIPTION
----------	-------------	----------	-------------



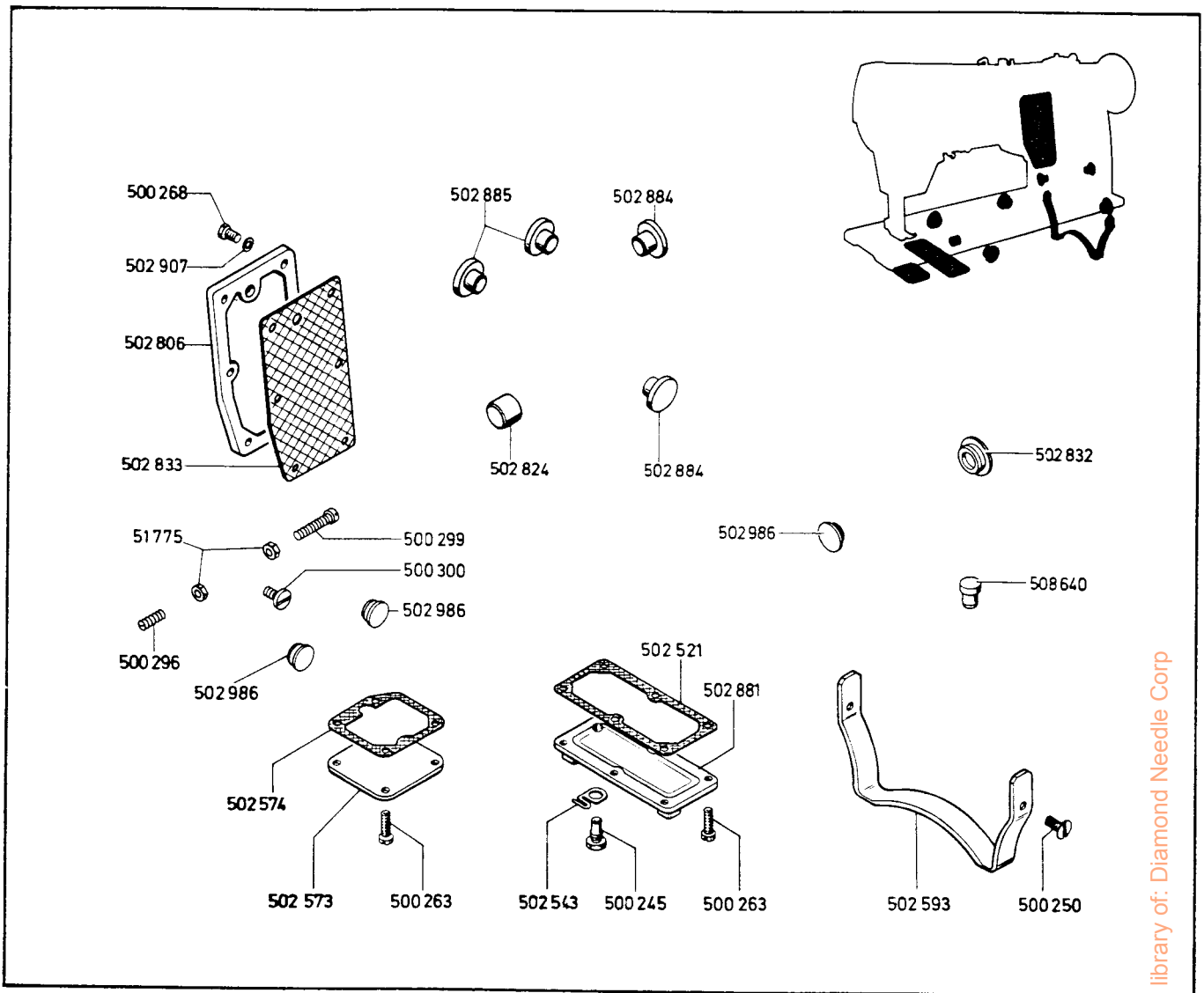
From the library of: Diamond Needle Corp

000449-830	FEED DRIVING ECCENTRIC SET SCREW
000624-833	FEED BAR HINGE PIN SET SCREW
001177-850	FEED CONTROL CONNECTION CRANK PINCH SCREW
001258-830	OIL PUMP DRIVING GEAR SET SCREW (2)
001259-830	BED SHAFT GEAR SET SCREW (2)
200393-833	FEED DRIVING ROCK SHAFT COLLAR SET SCREW (4)
203244	FEED DRIVING ROCK SHAFT COLLAR (2) WITH TWO EACH 200393
272144	BED SHAFT BALL BEARING
500257-850	FEED DRIVING ROCK SHAFT CRANK PINCH SCREW
500306-869	FEED BAR LIFTING LINK HINGE PIN PINCH SCREW
500308-830	FEED DRIVING ECCENTRIC POSITION SCREW
500319-830	BED CONNECTION BELT PULLEY SET SCREW (2)
502506	OIL PUMP DRIVING GEAR
502515	BED SHAFT BUSHING (FRONT)
502516	BED SHAFT BUSHING OIL WICK
502517	BED CONNECTION BELT PULLEY
502518-002	BED CONNECTION BELT PULLEY SPACER
502519	BED SHAFT GEAR WITH TWO 1259
502541	FEED BAR HINGE PIN
502542	FEED BAR HINGE PIN OILING FELT
502544	FEED BAR HINGE PIN THRUST WASHER (2)

502559	FEED DRIVING ROCK SHAFT CRANK WITH 500257
502560-002	FEED DRIVING ROCK SHAFT OIL WICK
502565	HOOK DRIVING SHAFT
502703	BED SHAFT BUSHING (FRONT) 502515 WITH 502516
502704	BED CONNECTION BELT PULLEY WITH 502517 AND TWO 500319
502705	OIL PUMP DRIVING GEAR WITH 502506 AND TWO 1258
502710	FEED DRIVING ROCK SHAFT CRANK 624 AND 502559
502752	HOOK SHAFT BUSHING CAP GASKET
502826	FEED DRIVING ROCK SHAFT BUSHING (RIGHT)
502838	BED SHAFT BUSHING (BACK)
502839	FEED DRIVING ECCENTRIC WITH 449, 500308 AND 502840
502840	FEED DRIVING ECCENTRIC
502892	FEED DRIVING ROCK SHAFT BUSHING (CENTER)
508779	FEED DRIVING ROCK SHAFT WITH 502560-002
508784	BED SHAFT WITH 502752
508798	FEED CONTROL CONNECTION CRANK WITH 1177
508800	FEED DRIVING ROCK SHAFT CRANK CPL. NOS. 502541, 502542, TWO 502544, 502710 AND 508801
508801	FEED BAR WITH 500306, 508802 AND 508803
508802	FEED BAR LIFTING BLOCK
508803	FEED BAR LIFTING BLOCK ECCENTRIC PIN
502888	BED SHAFT BUSHING (CENTER)

PART NO. DESCRIPTION

PART NO. DESCRIPTION



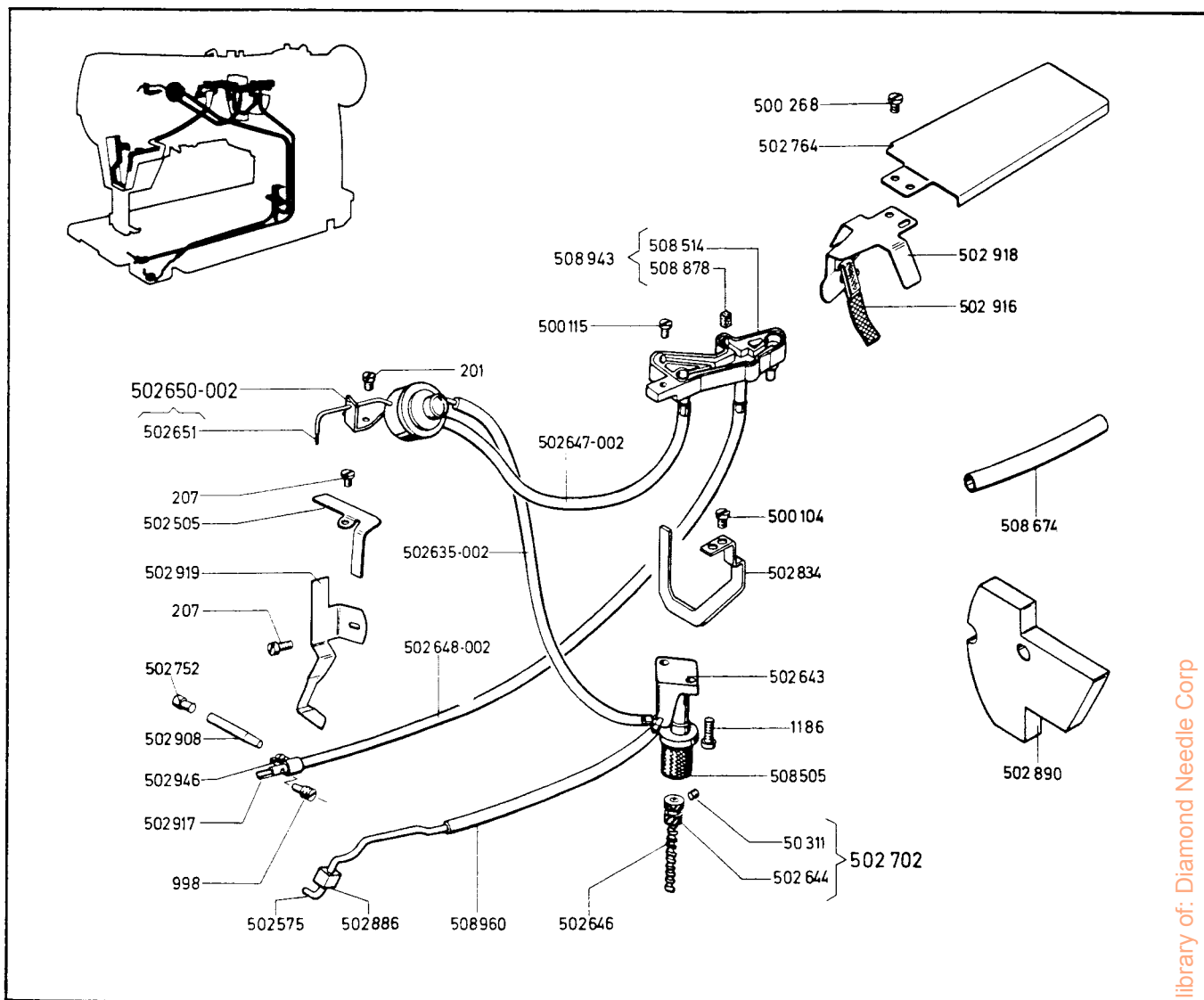
From the library of: Diamond Needle Corp

051775-850	ARM OIL SEAL SCREW LOCK NUT (2)
500245-805	BED SHAFT GEAR BOX OVERFLOW AND DRAIN PLUG SCREW
500250-850	MACHINE LEG SCREW (2)
500263-850	HOOK SHAFT GEAR BOX COVER SCREW (4)
500263-850	BED SHAFT GEAR BOX COVER SCREW (6)
500268-850	ARM COVER (BACK) SCREW (6)
500296-833	ARM OIL SEAL SCREW (LEFT)
500299-850	ARM OIL SEAL SCREW (RIGHT)
500300-850	ARM OIL SEAL SCREW (FRONT)
502521	BED SHAFT GEAR BOX GASKET
502543	FEED BAR HINGE PIN OILING FELT CLAMP
502573	HOOK SHAFT GEAR BOX COVER
502574	HOOK SHAFT GEAR BOX COVER GASKET

502593	MACHINE LEG (REAR)
502806	ARM COVER (BACK)
502824	HOOK DRIVING SHAFT PLUG (FOR UN-USED BED HOLE)
502832	FEED REGULATING SHAFT PLUG (FOR UN-USED HOLE)
502833	ARM COVER (BACK) GASKET
502881	BED SHAFT GEAR BOX COVER
502884	BED SPACER (FRONT AND REAR SIDE ) (2)
502885	BED SPACER (REAR) (2)
502907	ARM COVER (BACK) SCREW GASKET RING (6)
502986	FEED REGULATING SHAFT PLUG
502986	ARM OIL SEAL PLUG (2)
508640	MACHINE PLUG

PART NO. DESCRIPTION

PART NO. DESCRIPTION



From the library of: Diamond Needle Corp

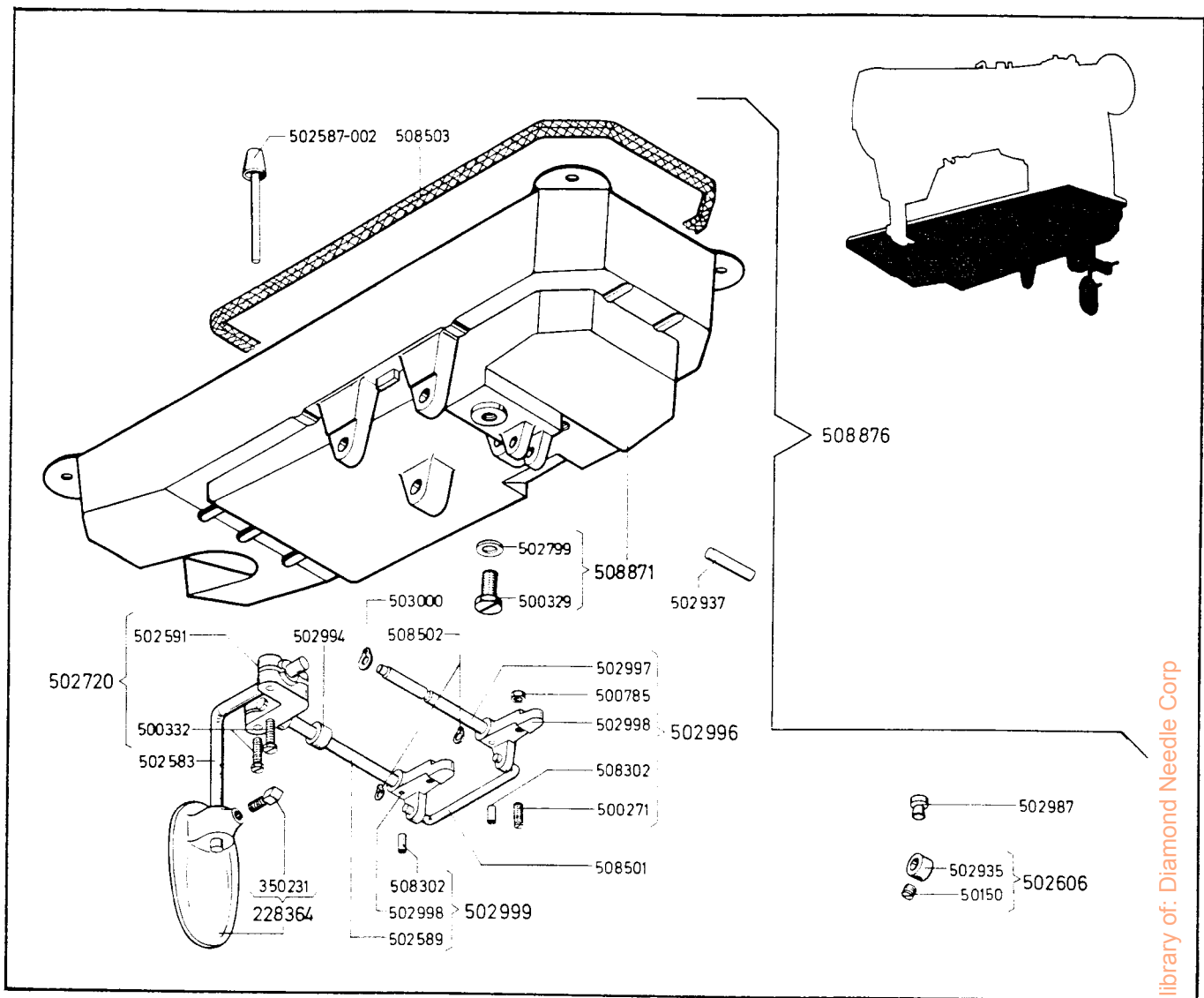
000201-850	OIL SIGHT BODY SCREW (2)
000207-803	ARM HEAD OIL DRAIN WICK CLAMP SCREW (2)
000998-833	OIL RETURN TUBE SCREW
001186-850	OIL PUMP MOUNTING SCREW (2)
050311-830	OIL PUMP GEAR SET SCREW (2)
500104-850	ARM OIL SHIELD (AERETED PLASTIC) RETAINER SCREW (2)
500115-850	OIL DISTRIBUTOR PLATE SCREW
500268-850	OIL GUARD SCREW (2)
502505	ARM HEAD OIL DRAIN WICK CLAMP (FRONT)
502575	HOOK SHAFT GEAR BOX OIL PIPE
502635-002	OIL DELIVERY TUBE
502643	OIL PUMP BODY
502644	OIL PUMP GEAR
502646	OIL PUMP SCREW SHAFT
502647-002	OIL RETURN TUBE (UPPER) (SHORT)
502648-002	OIL RETURN TUBE (LOWER) (LONG)
502650-002	OIL SIGHT BODY WITH 502651
502651	OIL SIGHT WICK
502702	OIL PUMP GEAR WITH 502644 AND TWO 50311

502752	BED SHAFT BUSHING (CENTER) OIL TUBE PLUG
502764	OIL GUARD
502834	ARM OIL SHIELD (AERETED PLASTIC) RETAINER
502886	HOOK SHAFT GEAR BOX OIL PIPE HOLDER
502890	ARM OIL SHIELD (AERETED PLASTIC)
502908	BED SHAFT BUSHING (CENTER) OIL TUBE
502916	ARM HEAD OIL DRAIN WICK
502917	OIL RETURN TUBE
502918	ARM HEAD OIL DRAIN WICK CLAMP (UPPER)
502919	ARM HEAD OIL DRAIN WICK CLAMP (BACK)
502946	OIL RETURN TUBE (LOWER) (LONG) CLAMP
508505	OIL FILTER WITH OIL FILTER MOUNTING SUPPORT
508514	OIL DISTRIBUTOR PLATE
508674	ARM HEAD OIL DRAIN WICK GUARD
508878	FOAM PAD
508943	OIL DISTRIBUTOR PLATE WITH FOAM PAD
508960	HOOK SHAFT GEAR BOX OIL PIPE

PART NO. DESCRIPTION

PART NO. DESCRIPTION





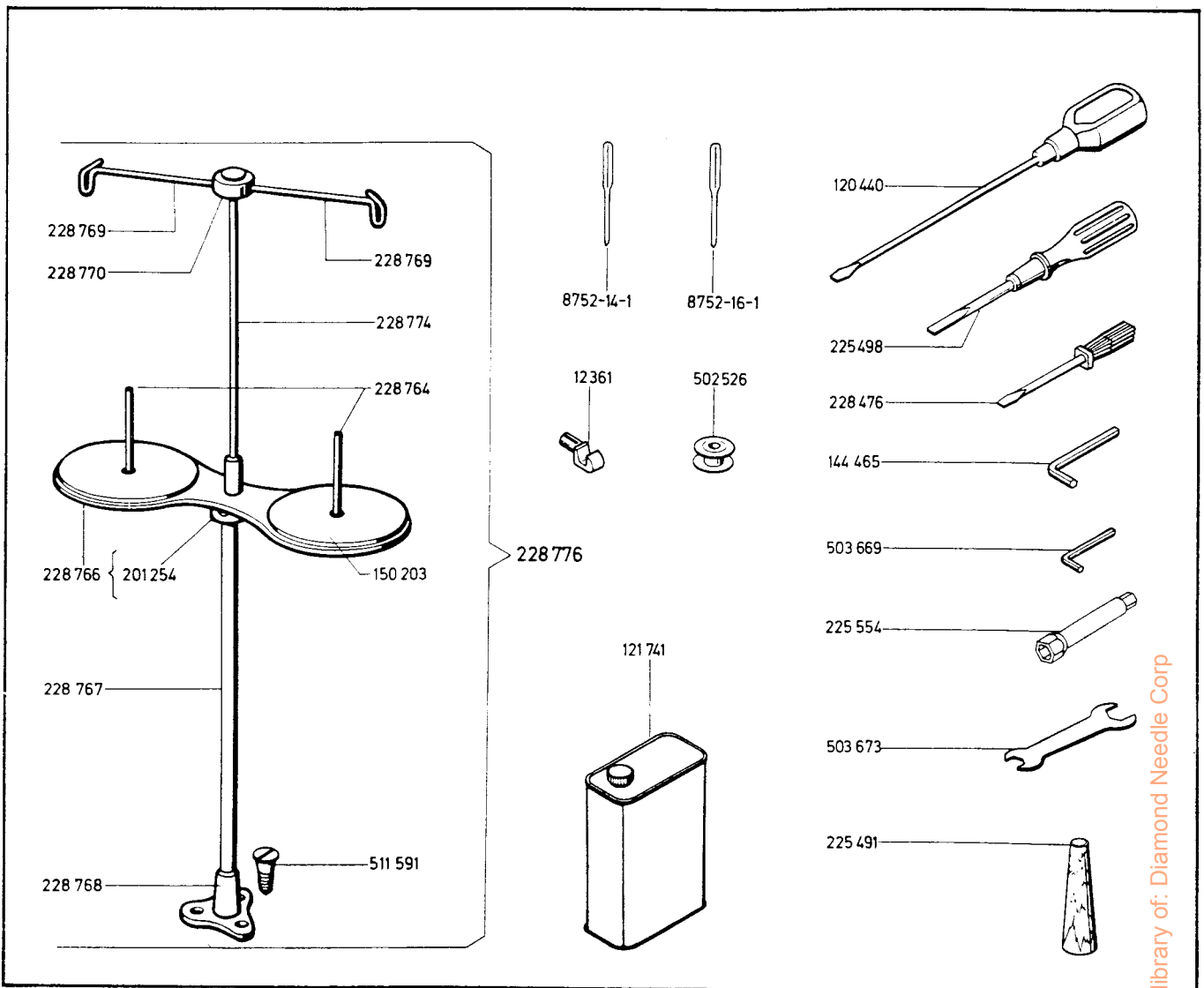
From the library of: Diamond Needle Corp

## Accessories

050150-833	FEED REVERSING FOOT CONTROL LEVER	502994	KNEE LIFTER ROCK SHAFT SPACER
228364	KNEE LIFTER KNEE PLATE WITH 350251	502996	KNEE LIFTER CONTROL SHAFT CPL. NOS. 500271, 500785, 502997, 502998 AND 508302
350231-850	KNEE LIFTER KNEE PLATE SET SCREW	502997	KNEE LIFTER CONTROL SHAFT
500271-833	KNEE LIFTER CONTROL SHAFT CRANK STOP SCREW	502998	KNEE LIFTER ROCK SHAFT CRANK
500329-850	MACHINE BASE AND OIL RESERVOIR PLUG SCREW	502998	KNEE LIFTER CONTROL SHAFT CRANK
500332-850	KNEE LIFTER SHAFT HUB PINCH SCREW (2)	502999	KNEE LIFTER ROCK SHAFT CPL. NOS. 502589, 502998 AND 508302
500785-850	KNEE LIFTER CONTROL SHAFT CRANK STOP SCREW NUT	503000	KNEE LIFTER CONTROL SHAFT GRIP RING
502583	KNEE LIFTER KNEE PLATE ARM	508302	KNEE LIFTER CONTROL SHAFT CRANK PIN (2)
502587-002	KNEE LIFTER PLUNGER	508501	KNEE LIFTER ROCK SHAFT CONNECTION
502589	KNEE LIFTER ROCK SHAFT	508502	KNEE LIFTER ROCK SHAFT CONNECTION GRIP RING (2)
502591	KNEE LIFTER ROCK SHAFT HUB	508503	MACHINE BASE AND OIL RESERVOIR GASKET
502606	FEED FOOT CONTROL LEVER PIN COLLAR 502935 WITH 50150	508871	MACHINE BASE AND OIL RESERVOIR WITH 500329 AND 502799
502720	KNEE LIFTER ROCK SHAFT HUB 502591 WITH TWO 500332	508876	MACHINE BASE OIL RESERVOIR WITH KNEE LIFTER CPL. NOS. 228364, 502587-002, 502583, 502606, 502720, 508871, 502937, 502994, 502996, 508501, 508503, 502999, 503000, 502987 AND TWO 508502
502799	MACHINE BASE AND OIL RESERVOIR DRAIN PLUG SCREW GASKET		
502935	FEED REVERSING FOOT CONTROL LEVER PIN COLLAR		
502937	FEED REVERSING FOOT CONTROL LEVER PIN		
502987	FEED REVERSING PLUNGER HOLE PLUG (FOR UN-USED HOLE)		

PART NO. DESCRIPTION

PART NO. DESCRIPTION



From the library of: Diamond Needle Corp

## Accessories

008752-14-1	NEEDLE (2)	228766	THREAD UNWINDER SPOOL REST WITH 201254
008752-16-1	NEEDLE (3)	228767	THREAD UNWINDER SPOOL REST ROD
012361	MACHINE HINGE CONNECTION (2)	228768	THREAD UNWINDER SPOOL STAND
120440	SCREW DRIVER	228769	THREAD UNWINDER THREAD GUIDE (2)
121741	ONE QUART CAN FILLED WITH LIGHT GRADE OIL	228770	THREAD UNWINDER THREAD GUIDE HOLDER
144465	WRENCH (1/8 INCH HEXAGON)	228774	THREAD UNWINDER THREAD GUIDE ROD
150203	THREAD UNWINDER SPOOL REST CUSHION (FELT) (2)	228776	THREAD UNWINDER CPL. NOS. (FOR TWO SPOOLS) 150203, 228764, 228766, 228767, 228769, 228770, 228774 AND THREE 511591
201254-803	THREAD UNWINDER SPOOL REST SET SCREW	502526	BOBBIN (2)
225491	MACHINE REST PIN (WOOD)	503669	WRENCH (5/64 INCH HEXAGON)
225498	SCREW DRIVER	503673	WRENCH (25/64 INCH HEXAGON)
225498	SCREW DRIVER	511591-819	THREAD UNWINDER WOOD SCREW (7/8 INCH) (3)
225554	WRENCH		
228476	SCREW DRIVER (BOBBIN CASE)		
228764	THREAD UNWINDER SPOOL PIN (2)		

PART NO. DESCRIPTION

PART NO. DESCRIPTION

FOR CLASS 457 G 130 135 155 GX6		DESCRIPTION	FOR CLASS 457 G 130 135 155 GX6		DESCRIPTION	PART NO.
PART NO.			PART NO.			
502850	x x - x	NEEDLE BAR YOKE CONNECTING LINK SLIDE BEARING	502949	- x x x	FEED DRIVING CONNECTING CARRIER FRAME SPRING STUD	508503
502850	x x x x	FEED DRIVING CONNECTION LEVER SLIDE BEARING	502951-850	x - - -	NEEDLE POSITION ADJUSTING CAM SET SCREW	508505
502853	- x x x	FEED DRIVING CONNECTION CARRIER FRAME CPL. 51369, 502850, 502854, 502857, 502858 AND 502949	502952	x x - x	NEEDLE BAR YOKE CONNECTING LINK CARRIER FRAME CPL. 502850, 502857, 502953 AND TWO 624	508506 508507
502854	x x x x	FEED DRIVING CONNECTION CARRIER FRAME	502953	x x - x	NEEDLE BAR YOKE CONNECTING LINK CARRIER FRAME	508511
502857	x x - x	NEEDLE BAR YOKE CONNECTING LINK CARRIER FRAME SLIDE STUD	502955	- x - -	ARM COVER (FRONT) 502989 WITH 502829 AND TWO 140753	508513
502857	x x x x	FEED DRIVING CONNECTION FRAME SLIDE STUD	502956	x x - x	NEEDLE BAR YOKE CONNECTING LINK CPL. 1664, 502785, 502817, 502957, 502959, 502961, 502962, 502963, 502990 AND TWO EACH 502802, 502958, 502960 AND 502964	508514 508518 508519 508520
502858	x x x x	FEED DRIVING CONNECTION LEVER SLIDE STUD OIL WICK	502957	x x - x	NEEDLE BAR YOKE CONNECTING LINK	
502859	x x x x	FEED DRIVING CONNECTION CARRIER FRAME BEARING STUD (LEFT)	502958	x x x x	NEEDLE BAR YOKE CONNECTING LINK SNAP RING (2)	508523
502860	x x x x	FEED DRIVING CONNECTION CARRIER FRAME BEARING STUD (RIGHT)	502959	x x x x	HOOK SHAFT SNAP RING	
502862	- x x x	FEED REGULATING CONNECTION SHAFT CRANK LINK	502959	x x - x	NEEDLE VIBRATING CAM ROLLER GUIDE	508524
502863	- x x x	FEED REGULATING CONNECTION SHAFT CRANK 502864 WITH 160	502960	x x - x	NEEDLE VIBRATING CAM ROLLER (2)	
502864	- x x x	FEED REGULATING CONNECTION SHAFT CRANK	502961	x x x x	NEEDLE VIBRATING CAM ROLLER STUD SPRING WASHER	508527 508530
502866	- x x x	FEED DRIVING CONNECTION CARRIER FRAME SPRING	502962	x x - x	NEEDLE VIBRATING CAM ROLLER STUD	508535
502867	- x x x	FEED DRIVING CONNECTION CARRIER FRAME SPRING STUD	502963	x x - x	NEEDLE VIBRATING CAM ROLLER STUD WASHER	508537 508538
502868	x x x x	FEED REGULATING CONNECTION SHAFT BUSHING	502964	x x x x	NEEDLE VIBRATING CAM ROLLER NEEDLE BEARING CAGE (2)	508539
502869	- x x x	FEED REGULATING CONNECTION SHAFT COLLAR 502873 WITH TWO 51334	502966	x x - x	NEEDLE VIBRATING CAM SHAFT SLIDE BLOCK	508540
502872	- x x x	FEED REGULATING CONNECTION SHAFT COLLAR	502967	x x x x	NEEDLE VIBRATING CAM SHAFT BUSHING 'BACK'	508541 508542
502873	- x x x	FEED REGULATING CONNECTION SHAFT COLLAR	502968	x x x x	NEEDLE VIBRATING CAM SHAFT	508543
502876	- x x x	FEED REGULATING SHAFT INDICATOR LEVER CONNECTING LINK	502969	x x - -	NEEDLE VIBRATING CAM WITH TWO 500301	
502878	- x x x	FEED REGULATING SHAFT WITH LEVER	502975	- x x x	FEED REGULATING SHAFT INDICATOR CPL. 129, 502876, 502976 AND 507063	508567 508568
502879	x x x x	FEED DRIVING ROCK SHAFT WITH 502560-002 AND 502880	502976	- x x x	FEED REGULATING SHAFT INDICATOR LEVER	
502880	x x x x	FEED DRIVING ROCK SHAFT	502977	x x - x	NEEDLE POSITION ADJUSTING CAM SLIDE BLOCK BRACKET WITH 502974 AND TWO EACH 500067 AND 500298	
502881	x x x x	BED SHAFT GEAR BOX COVER	502979	- x x x	FEED REGULATING SHAFT SPACER	
502882	x x x x	MACHINE BASE AND OIL RESERVOIR WITH 500329 AND 502799	502980	x - - -	FEED DRIVING CONNECTION CARRIER FRAME COLLAR	
502883	x x x x	MACHINE BASE AND OIL RESERVOIR WITH KNEE LIFTER CPL. 228364, 502567-002, 502583, 502606, 502720, 502882, 502937, 502994, 502996, 508501, 508503, 503000 AND TWO 508502	502981	x - - -	FEED DRIVING CONNECTION CARRIER FRAME	
502884	x x x x	BED SPACER (FRONT AND REAR SIDE) (2)	502982-850	x - - -	FEED DRIVING CONNECTION CARRIER FRAME THUMB NUT	
502885	x x x x	BED SPACER (REAR) (2)	502983	x - - -	FEED DRIVING CONNECTION CARRIER FRAME STUD	
502886	x x x x	HOOK SHAFT GEAR BOX OIL PIPE HOLDER	502984	x - - -	ARM COVER (FRONT)	
502888	x x x x	BED SHAFT BUSHING (CENTER)	502985	x - - -	FEED DRIVING CONNECTION CARRIER FRAME CPL. 51369, 502850, 502854, 502857, 502858 AND 502983	
502890	x x x x	ARM OIL SHIELD (AERATED PLASTIC)	502986	x - - -	FEED REGULATING SHAFT PLUG	
502891	x x x x	SINGER LIGHT STUD HOLE SCREW PLUG GASKET	502987	x x x x	FEED REVERSING PLUNGER HOLE PLUG (FOR UN-USED HOLE)	
502892	x x x x	FEED DRIVING ROCK SHAFT BUSHING (CENTER)	502989	- x - -	ARM COVER (FRONT)	
502896	x x x x	NEEDLE BAR YOKE GUIDE (REAR)	502990	x x - x	NEEDLE VIBRATING CAM ROLLER SPRING WASHER	
502897	x x x x	NEEDLE BAR YOKE GUIDE (FRONT)	502991	x x x x	ARM PLUG SCREW GASKET RING	
502898	- - x -	NEEDLE VIBRATING ADJUSTING SHAFT CLAMPING BRACKET CPL. 690, 502922 AND 502923	502992	x x x x	ARM SHAFT BUSHING (CENTER) SCREW GASKET RING	
502907	x x x x	ARM COVER (BACK) SCREW GASKET RING (6)	502992	x x x x	KNEE LIFTER ROCK FRAME HINGE STUD LOCK SCREW GASKET RING	
502907	x x x x	ARM COVER (TOP) SCREW (LONG) GASKET RING (2)	502993	x x x x	NEEDLE BAR CPL. 223, 238 AND 502597	
502907	x x x x	ARM COVER (TOP) SCREW (SHORT) GASKET RING (2)	502994	x x x x	KNEE LIFTER ROCK SHAFT SPACER	
502907	x x x x	ARM COVER (FRONT) SCREW GASKET RING (3)	502996	x x x x	KNEE LIFTER CONTROL SHAFT CPL. 500271, 500765, 502997, 502998 AND 508302	
502907	- - x -	NEEDLE VIBRATING CAM SHAFT BUSHING (BACK) GASKET RING (2)	502997	x x x x	KNEE LIFTER CONTROL SHAFT	
502908	x x x x	BED SHAFT BUSHING (CENTER) OIL TUBE	502998	x x x x	KNEE LIFTER CONTROL SHAFT CRANK	
502909	x x x x	ARM COVER (TOP) GASKET	502998	x x x x	KNEE LIFTER ROCK SHAFT CRANK	
502914	x x x x	ARM HEAD OIL DRAIN WICK SLINGER CPL. 502915 AND TWO 500302	502999	x x x x	KNEE LIFTER ROCK SHAFT CPL. 502589, 502998 AND 508302	
502915	x x x x	ARM HEAD OIL DRAIN WICK SLINGER	503000	x x x x	KNEE LIFTER CONTROL SHAFT GRIP RING	
502916	x x x x	ARM HEAD OIL DRAIN WICK	503141	- - x -	NEEDLE VIBRATING CAM ROLLER STUD WASHER	
502917	x x x x	OIL RETURN TUBE	503595	x x x -	PRESSER FOOT (HINGED)	
502918	x x x x	ARM HEAD OIL DRAIN WICK CLAMP (UPPER)	503669	x x x x	WRENCH (5/64 INCH HEXAGON)	
502919	x x x x	ARM HEAD OIL DRAIN WICK CLAMP (BACK)	503673	x x x x	WRENCH (25/64 INCH HEXAGON)	
502920	x x x x	PRESSER BAR SPRING SCREW STUD GASKET	503682	x x x -	THROAT PLATE	
502922	- - x -	NEEDLE VIBRATING ADJUSTING SHAFT CLAMPING BRACKET (UPPER)	503683	x x - -	FEED DOG	
502923	- - x -	NEEDLE VIBRATING ADJUSTING SHAFT CLAMPING BRACKET (LOWER)	503686	- - x -	FEED DOG	
502926	x x x x	ARM SHAFT OIL SLINGER AND PINION SPACER WITH 460 AND 502511-002	503697	- - - x	PRESSER FOOT (HINGED)	
502927	x x x x	ARM SHAFT AND NEEDLE BAR CRANK PIN	503698	- - - x	THROAT PLATE	
502928	x x x x	HOOK SHAFT OIL FILTER FELT (WICK)	503699	- - - x	FEED DOG	
502930	x x x x	NEEDLE BAR YOKE GUIDE SET SCREW (2)	507063	x x x x	FEED DRIVING CONNECTION LEVER HINGE PIN RETAINER (4)	
502931	- x x x	FEED DRIVING CONNECTION CARRIER FRAME SPRING RETAINER	507063	- x x x	FEED REGULATING CONNECTION SHAFT CRANK LINK RETAINER	
502932	- x x x	FEED DRIVING CONNECTION CARRIER FRAME SPRING 502866 WITH 502931	507063	- x x x	FEED REGULATING SHAFT INDICATOR LEVER HINGE STUD RETAINER	
502935	x x x x	FEED REVERSING FOOT CONTROL LEVER PIN COLLAR	507523	x x x x	FEED REGULATOR SHAFT INDICATOR LEVER HINGE STUD RETAINER	
502937	x x x x	FEED REVERSING FOOT CONTROL LEVER PIN	508302	x x x x	FEED DRIVING CONNECTION CARRIER FRAME STOP SCREW WASHER (2)	
502946	x x x x	OIL RETURN TUBE (LOWER) (LONG) CLAMP	508302	x x x x	KNEE LIFTER ROCK SHAFT CRANK PIN	
502948	x x x x	PRESSER BAR WITH PRESSER FOOT SCREW 500256	508501	x x x x	KNEE LIFTER CONTROL SHAFT CRANK PIN	
			508502	x x x x	KNEE LIFTER ROCK SHAFT CONNECTION GRIP RING (2)	

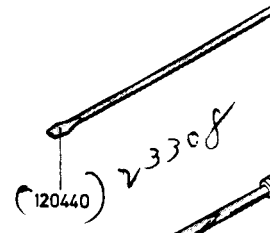
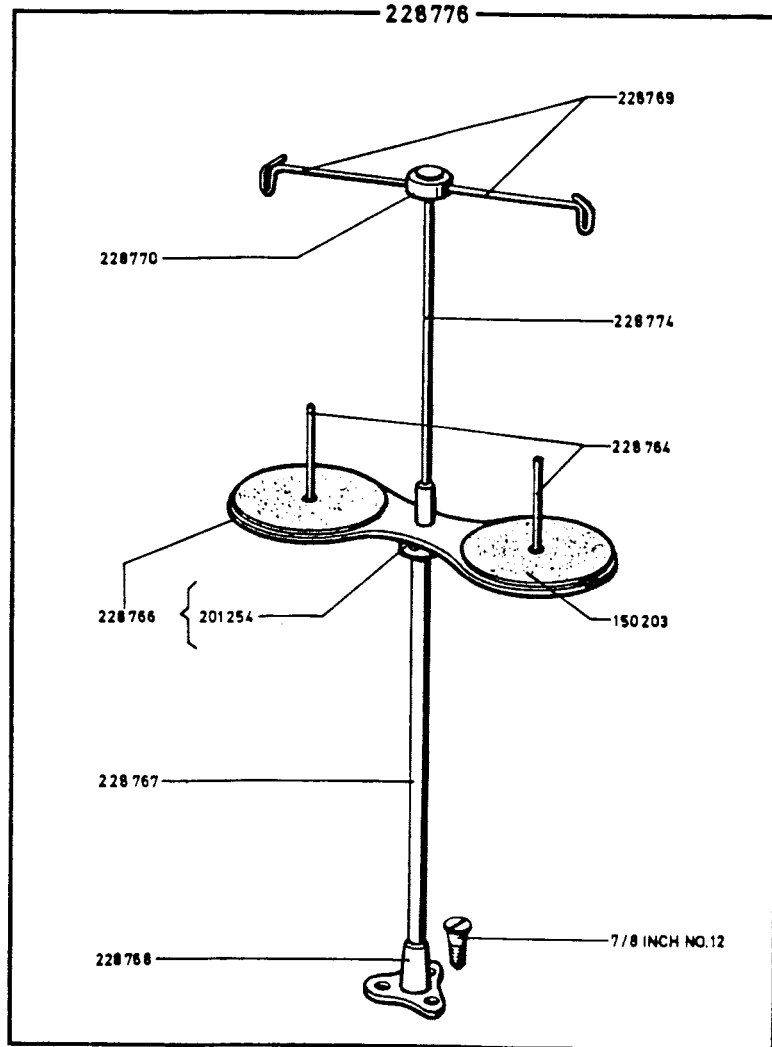
From the library of: Diamond Needle Corp.

PART NO.	FOR CLASS 457 G				DESCRIPTION	PART NO.	FOR CLASS 457 G				DESCRIPTION
	130	135	155	GX6			130	135	155	GX6	
272142	x	x	x	x	MACHINE PULLEY BALL BEARING	500329-850	x	x	x	x	MACHINE BASE AND PLUG SCREW
272143	x	x	x	x	ARM SHAFT BALL BEARING	500332-850	x	x	x	x	KNEE LIFTER ROCK SH
272144	x	x	x	x	BED SHAFT BALL BEARING	500367-850	-	-	x	-	NEEDLE POSITION AD STOP SCREW (2)
272208	x	x	x	x	PRETENSION BRACKET SPRING	500785-850	x	x	x	x	KNEE LIFTER CONTRO SCREW NUT
272209	x	x	x	x	PRETENSION BRACKET STUD	500786-850	x	x	x	x	HOOK OIL BYPASS PL
272218	x	x	-	x	TENSION RELEASING DISC	502505	x	x	x	x	ARM HEAD OIL DRAIN
272219	x	x	-	x	TENSION SPRING	502506	x	x	x	x	OIL PUMP DRIVING C
272221	x	x	-	x	TENSION WHEEL	502508	x	x	x	x	ARM SHAFT CONNEC
276025	x	x	x	x	PRESSER BAR BALL	502509	x	x	x	x	ARM SHAFT CONNEC
276027	x	x	x	x	PRESSER BAR LIFTER	502510	x	x	x	x	ARM SHAFT OIL SHIE
276051	x	x	x	x	THREAD GUIDE (ON FACE PLATE)	502511-002	x	x	x	x	ARM SHAFT OIL SLIN
276114	x	x	x	x	NEEDLE BAR CONNECTING LINK THRUST WASHER	502515	x	x	x	x	SPACER
276225	x	x	x	x	TENSION STUD	502516	x	x	x	x	BED SHAFT BUSHING
276236	x	x	x	x	HOOK SHAFT OIL FILTER WICK HOLDER	502517	x	x	x	x	BED CONNECTION BE
276508	x	x	x	x	ROTARY TAKE-UP GUARD SPRING CATCH	502518-002	x	x	x	x	BED CONNECTION BE
276536	x	x	x	x	PRESSER BAR BUSHING	502519	x	x	x	x	BED SHAFT GEAR
350231-850	x	x	x	x	KNEE LIFTER KNEE PLATE SET SCREW	502522	x	x	x	x	BED SHAFT GEAR BO
500067-830	x	x	-	x	NEEDLE POSITION ADJUSTING CAM STOP SCREW SET SCREW (2)	502526	x	x	x	x	BED SLIDE
500067-830	-	-	x	-	NEEDLE POSITION ADJUSTING ECCENTRIC STOP SCREW SET SCREW (2)	502527	x	x	x	x	BOBBIN (1-2)
500104-850	x	x	x	x	ARM OIL SHIELD (AERETED PLASTIC) RETAINER SCREW (2)	502528	x	x	x	x	BOBBIN CASE BASE
500115-850	x	x	x	x	OIL DISTRIBUTOR PLATE SCREW	502528	x	x	x	x	BOBBIN CASE CAP
500212-833	x	x	x	x	FEED DRIVING CONNECTION CARRIER FRAME BEARING STUD (LEFT) SET SCREW	502529	x	x	x	x	BOBBIN CASE LATCH AND 502717
500244-850	x	x	x	x	ROTARY TAKE-UP SCREW (2)	502530	x	x	x	x	BOBBIN CASE CAP OF 502529 AND 502716
500244-850	x	x	x	x	BED PLATE SCREW (BACK) (2)	502531	x	x	x	x	BOBBIN CASE CPL. 50
500244-850	x	x	x	x	THROAT PLATE SCREW (2)	502532	x	x	x	-	HOOK BODY WITH 50
500245-805	x	x	x	x	BED SHAFT GEAR BOX OVERFLOW AND DRAIN PLUG SCREW	502533	x	x	x	-	HOOK DRIVING SHA
500246-850	x	x	x	x	THREAD GUIDE SCREW (2)	502534	x	x	x	-	HOOK AND BOBBIN AND 502562
500246-850	x	x	x	x	FACE PLATE SCREW (8)	502536	x	x	x	x	BOBBIN CASE STOP
500246-850	x	x	x	x	ROTARY TAKE-UP GUARD SPRING CATCH SCREW	502537	x	x	x	-	FACE PLATE
500247-833	x	x	x	x	HOOK OIL REGULATING SCREW	502538	x	x	x	x	HOOK GIB
500248-001	x	x	x	x	ARM PLUG SCREW	502539-002	x	x	x	-	HOOK NEEDLE GUAR
500250-850	x	x	x	x	MACHINE LEG SCREW (2)	502540-002	x	x	x	x	FEED BAR
500251-850	x	x	x	x	NEEDLE BAR CONNECTING STUD PINCH SCREW	502541	x	x	x	x	FEED BAR HINGE PIN
500256-850	x	x	x	x	PRESSER FOOT SCREW	502542	x	x	x	x	FEED BAR HINGE PIN
500257-850	x	x	x	x	FEED DRIVING ROCK SHAFT CRANK PINCH SCREW	502544	x	x	x	x	FEED BAR HINGE PIN
500259-803	x	x	x	x	TENSION RELEASER ADJUSTING SCREW	502545	x	x	x	x	FEED BAR LIFTING LI
500260-830	x	x	x	x	PRESSER BAR SPRING SCREW	502546	x	x	x	x	FEED BAR LIFTING LI
500261-850	x	x	x	x	PRESSER BAR SPRING SCREW STUD	502558	x	x	x	x	FEED DRIVING ROCK
500262-833	x	x	x	x	THREAD GUIDE (ON FACE PLATE) SCREW	502559	x	x	x	x	FEED DRIVING ROCK WITH 500257
500262-833	x	x	x	x	THREAD CUTTER (ON FACE PLATE) SCREW	502560-002	x	x	x	x	FEED DRIVING ROCK
500263-850	x	x	x	x	HOOK SHAFT GEAR BOX COVER SCREW (4)	502562	x	x	x	-	HOOK CPL. 141507, 502539-002, TWO 500
500263-850	x	x	x	x	BED SHAFT GEAR BOX COVER SCREW (6)	502563	x	x	x	x	HOOK OIL RETAININ
500264-830	x	x	x	x	HOOK SHAFT BUSHING FRONT SET SCREW	502565	x	x	x	x	HOOK DRIVING SHAF
500265-833	x	x	x	x	THREAD REGULATOR SET SCREW	502566	x	x	x	x	HOOK DRIVING SHAF
500267-850	x	x	x	x	ARM COVER (TOP) SCREW (LONG) (2)	502567	x	x	x	x	HOOK DRIVING SHAF
500267-850	-	-	x	-	NEEDLE VIBRATING CAM SHAFT BUSHING (BACK) SCREW (2)	502568	x	x	x	x	HOOK SHAFT
500268-850	x	x	x	x	ARM COVER (BACK) SCREW (6)	502569	x	x	x	x	HOOK SHAFT BEVEL
500268-850	x	x	x	x	ARM COVER (TOP) SCREW (SHORT) (2)	502572	x	x	x	x	HOOK SHAFT BUSHIN
500268-850	x	x	x	x	OIL GUARD SCREW (2)	502573	x	x	x	x	HOOK SHAFT GEAR B
500268-850	x	x	x	x	FEED DRIVING CONNECTION CARRIER FRAME STOP SCREW (2)	502574	x	x	x	x	HOOK SHAFT GEAR B
500271-833	x	x	x	x	KNEE LIFTER CONTROL SHAFT CRANK STOP SCREW	502575	x	x	x	x	HOOK SHAFT GEAR B
500272-830	x	x	x	x	ARM SHAFT CONNECTION BELT PULLEY SET SCREW	502576-002	x	x	x	x	HOOK SHAFT GEAR B
500274-830	x	x	x	x	ARM SHAFT CONNECTION BELT PULLEY POSITION SCREW	502577	x	x	x	x	NEEDLE VIBRATING C (FRONT) SET SCREW F
500275-850	x	x	x	x	TENSION RELEASER HINGE SCREW	502577	x	x	x	x	HOOK SHAFT GEAR B
500297-850	x	x	x	x	ROTARY TAKE-UP GUARD COVER WINDOW SCREW	502581	x	x	x	x	HOOK SHAFT PRESSUR
500296-833	x	x	x	x	NEEDLE POSITION ADJUSTING CAM REGULATING STUD SET SCREW	502582	x	x	x	x	HOOK SHAFT PRESSUR
500296-833	-	-	x	-	NEEDLE VIBRATING ADJUSTING LEVER STOP SCREW (LEFT)	502583	x	x	x	x	KNEE LIFTER KNEE PL
500298-850	x	x	-	x	NEEDLE POSITION ADJUSTING CAM STOP SCREW (2)	502584	x	x	x	x	KNEE LIFTER LIFTING
500299-850	-	-	x	-	NEEDLE VIBRATING ADJUSTING LEVER STOP SCREW (RIGHT)	502586	x	x	x	x	KNEE LIFTER LIFTING
500300-850	-	-	x	-	NEEDLE VIBRATING ADJUSTING SHAFT RETAINER SCREW	502587-002	x	x	x	x	KNEE LIFTER PLUNGE
500300-850	-	-	x	-	NEEDLE VIBRATING ADJUSTING LEVER SCREW	502589	x	x	x	x	KNEE LIFTER ROCK SH
500301-850	x	x	x	x	NEEDLE VIBRATING CAM SCREW (2)	502591	x	x	x	x	KNEE LIFTER ROCK SH
500301-850	x	x	x	x	NEEDLE VIBRATING WORM GEAR SCREW (2)	502593	x	x	x	x	MACHINE LEG (REAR)
500302-803	x	x	-	x	NEEDLE BAR YOKE CONNECTING LINK CARRIER FRAME BUSHING SET SCREW (2)	502594	x	x	x	x	NEEDLE BAR OIL FELT
500302-803	-	-	x	-	NEEDLE POSITION ADJUSTING ECCENTRIC STOP SCREW (2)	502597	x	x	x	x	NEEDLE BAR THREAD
500303-830	x	x	x	x	NEEDLE VIBRATING CAM SHAFT BUSHING FRONT SET SCREW	502598	x	x	x	-	NEEDLE BAR CONNEC
500306-850	x	x	x	x	HOOK SET SCREW (2)	502600	x	x	x	x	NEEDLE BAR CONNEC BLOCK
500307-850	x	x	x	x	ARM SHAFT BUSHING (CENTER) SCREW	502601	x	x	x	x	NEEDLE BAR CONNEC PLATE
500308-830	x	x	x	x	FEED DRIVING ECCENTRIC POSITION SCREW	502602	x	x	x	-	NEEDLE BAR CONNEC
500309-850	-	-	x	-	FEED REGULATING SHAFT INDICATOR STOP SCREW (2)	502603	x	x	x	-	NEEDLE BAR CONNEC
500310-833	-	-	x	-	FEED REGULATING SHAFT INDICATOR STOP SCREW RETAINING SPRING SCREW	502604	x	x	x	-	NEEDLE BAR CONNEC BLOCK
500312-850	x	x	x	x	SINGER LIGHT STUD HOLE SCREW PLUG (FOR UN-USED HOLE)	502606	x	x	x	x	FEED REVERSING FOC
500313-850	x	x	x	x	NEEDLE BAR YOKE GUIDE SET SCREW (2)	502607	x	x	x	-	PIN COLLAR 502935
500319-830	x	x	x	x	BED CONNECTION BELT PULLEY SET SCREW (2)	502608	x	x	x	x	NEEDLE BAR CRANK
500320-830	x	x	x	x	ARM HEAD OIL DRAIN WICK SLINGER SET SCREW (2)	502610	x	x	x	x	NEEDLE BAR OIL FELT
						502611	x	x	x	x	HOOK SHAFT BUSHIN
						502612	x	x	x	x	NEEDLE BAR YOKE C
						502622	x	x	x	x	HINGE BEARING WITH ROTARY TAKE-UP GU SPRING WASHER
						502635-002	x	x	x	x	OIL DELIVERY TUBE
						502641	x	x	x	x	MACHINE BASE AND GROUNDING CONTA
						502642	x	x	x	x	MACHINE BASE AND GROUNDING CONTA
						502643	x	x	x	x	OIL PUMP BODY

	FOR CLASS 457 G				DESCRIPTION	FOR CLASS 457 G				DESCRIPTION		
	PART NO.	130	135	155 GX6		PART NO.	130	135	155 GX6			
RESERVOIR	502644	x	x	x	x	OIL PUMP GEAR	502775	-	-	x	-	NEEDLE VIBRATING ADJUSTING BRACKET
HUB PINCH SCREW (2)	502645	x	x	x	x	PRESSER BAR POSITION GUIDE	502776	-	-	x	-	NEEDLE VIBRATING ADJUSTING BRACKET STUD (2)
TING ECCENTRIC	502646	x	x	x	x	OIL PUMP SCREW SHAFT	502776	-	-	x	-	NEEDLE POSITION ADJUSTING ECCENTRIC BUSHING (SMALL) SLIDE BLOCK STUD
SHAFT CRANK STOP	502647-002	x	x	x	x	OIL RETURN TUBE (UPPER) (SHORT)	502777	-	-	x	-	NEEDLE VIBRATING ADJUSTING GUIDE CRANK
SHAFT CRANK STOP	502648-002	x	x	x	x	OIL RETURN TUBE (LOWER) (LONG)	502778	-	-	x	-	NEEDLE VIBRATING ADJUSTING GUIDE CRANK 502777 WITH 1147
SCREW NUT	502650-002	x	x	x	x	OIL SIGHT BODY AND WICK 502651	502779	-	-	x	-	NEEDLE VIBRATING ADJUSTING CRANK
LOCK CLAMP (FRONT)	502651	x	x	x	x	OIL SIGHT WICK	502780	-	-	x	-	NEEDLE VIBRATING ADJUSTING CRANK 502779 WITH 51369
IN BELT	502653	x	x	x	x	PRESSER BAR SPRING	502781	-	-	x	-	NEEDLE POSITION ADJUSTING ECCENTRIC SLIDE BLOCK
IN BELT PULLEY	502654	x	x	x	x	PRETENSION BRACKET	502782	-	-	x	-	NEEDLE VIBRATING ADJUSTING BRACKET SLIDE BLOCK
AND PINION	502655	x	x	x	x	ROTARY TAKE-UP	502783	-	-	x	-	NEEDLE VIBRATING ADJUSTING GUIDE CRANK SHAFT
ONT)	502656	x	x	x	x	ROTARY TAKE-UP GUARD	502784	-	-	x	-	NEEDLE VIBRATING ADJUSTING CRANK SHAFT
WICK	502657	x	x	x	x	ROTARY TAKE-UP GUARD COVER	502785	x	x	x	x	NEEDLE BAR YOKE CONNECTING LINK HINGE BEARING STUD
PULLEY	502658	x	x	x	x	PRETENSION BRACKET CPL. 210958, 210993, 272208, 272209 AND 502699	502786	x	x	x	x	KNEE LIFTER ROCK FRAME
PULLEY SPACER	502659	x	x	x	x	ROTARY TAKE-UP MOUNTING DISC	502788	-	-	x	-	NEEDLE VIBRATING ADJUSTING SHAFT RETAINER
OVER GASKET	502660-002	x	x	x	x	TENSION RELEASER	502789	-	-	x	-	NEEDLE BAR YOKE CONNECTING LINK CARRIER FRAME STUD
	502661-002	x	x	x	x	TENSION RELEASER CPL. 1747, 500259 AND 502660-002	502790	x	x	-	x	NEEDLE POSITION ADJUSTING LEVER
	502662	x	x	x	x	TENSION RELEASER SPRING	502791	-	-	x	-	NEEDLE POSITION ADJUSTING ECCENTRIC SLIDE BLOCK BRACKET
	502663	x	x	-	x	TENSION CPL. 1560, 270086, 272218, 272219, 272221, 276225, 502668, 502698 AND TWO 202079	502793	-	-	x	-	NEEDLE VIBRATING CAM ROLLER GUIDE COMPENSATING LINK STUD SNAP RING (2)
	502665	x	x	x	x	THREAD GUIDE	502793	-	-	x	-	NEEDLE POSITION ADJUSTING ECCENTRIC SLIDE BLOCK BRACKET
	502666	x	x	x	x	THREAD PULL OFF	502793	-	-	x	-	NEEDLE VIBRATING ADJUSTING BRACKET STUD SNAP RING (2)
	502667	x	x	x	x	THREAD RETAINER	502799	x	x	x	x	MACHINE BASE AND OIL RESERVOIR DRAIN PLUG SCREW GASKET
	502668	x	x	x	x	THREAD TAKE-UP SPRING	502800	-	-	x	-	NEEDLE BAR YOKE CONNECTION LINK CARRIER FRAME DISC SPRING
	502669	x	x	x	x	THREAD TAKE-UP SPRING REGULATOR	502801	-	-	x	-	NEEDLE VIBRATING CAM ROLLER GUIDE COMPENSATING LINK STUD
	502670	x	x	x	x	THREAD CUTTER (ON ROTARY TAKE-UP GUARD)	502802	x	x	x	x	NEEDLE BAR YOKE CONNECTING LINK HINGE BEARING STUD SNAP RING (2)
	502672	x	x	x	x	NEEDLE BAR YOKE BEARING (BACK)	502802	-	-	x	-	NEEDLE BAR YOKE CONNECTING LINK CARRIER FRAME SNAP RING
	502674	x	x	x	x	NEEDLE BAR YOKE BEARING (FRONT)	502803	-	-	x	-	NEEDLE VIBRATING ADJUSTING LEVER
	502675-002	x	x	x	x	FEED DRIVING ROCK SHAFT CRANK CPL. 51388, 502541, 502542, 502544, 502545, 502546, 502710 AND 502711-002	502805	-	-	x	-	NEEDLE BAR YOKE CONNECTING LINK CARRIER FRAME
	502676	x	x	x	x	HOOK SHAFT PRESSURE BUSHING 502581 WITH 502582	502806	x	x	x	x	ARM COVER (BACK)
	502677	x	x	x	x	HOOK SHAFT WITH OIL FILTER CPL. 271808, 276236, 502568, 502928 AND 502958	502811	x	x	x	x	ARM COVER (TOP)
	502679	x	x	x	x	KNEE LIFTER ROCK FRAME HINGE STUD PIN	502817	x	x	x	x	NEEDLE BAR YOKE CONNECTING LINK HINGE BEARING WITH 502616 AND TWO 502757
	502681-002	x	x	x	x	ARM SHAFT WITH 1259, 140172 AND 502723-002	502818	x	x	x	x	HOOK GEAR BOX VENT CAP
	502682	x	x	x	x	ARM SHAFT CONNECTION BELT PULLEY CPL. 214206, 500272, 500274 AND 502509	502819	-	-	x	-	NEEDLE BAR YOKE CONNECTING LINK CARRIER FRAME CPL. 502789, 502805, 502850, 502857 AND TWO 624
	502683-002	x	x	x	-	NEEDLE BAR YOKE WITH OIL FELT CPL. 502594, 502608 AND 502688-002	502820	-	-	x	-	NEEDLE POSITION ADJUSTING ECCENTRIC CPL. 502776, 502781, 502793 AND TWO EACH 500302 AND 502762
	502688-002	x	x	x	-	NEEDLE BAR YOKE	502822	x	x	x	x	KNEE LIFTER ROCK FRAME WITH 502679, 502758 AND 502786
	502693	x	x	x	-	NEEDLE BAR CONNECTING STUD WITH 500251, 502602 AND 502603	502823	x	x	x	x	KNEE LIFTER LIFTING ROD WITH TWO 502830
	502694	x	x	x	-	NEEDLE BAR CRANK STUD WITH 270161 AND 502607	502824	x	x	x	x	HOOK DRIVING SHAFT PLUG (FOR UN-USED BED HOLE)
	502696	x	x	x	x	PRESSER BAR POSITION GUIDE WITH 51369 AND 502645	502825	x	x	x	x	NEEDLE VIBRATING CAM SHAFT BUSHING (FRONT)
	502698	x	x	x	x	THREAD TAKE-UP SPRING REGULATOR 502669 WITH 50305	502826	x	x	x	x	FEED DRIVING ROCK SHAFT BUSHING (FRONT)
	502699	x	x	x	x	PRETENSION BRACKET WITH 460 AND 502654	502829	-	x	x	x	STITCH LENGTH INDICATOR PLATE
	502702	x	x	x	x	OIL PUMP GEAR WITH 502644 AND TWO 50311	502830	x	x	x	x	KNEE LIFTER LIFTING ROD GRIP RING (2)
	502703	x	x	x	x	BED SHAFT BUSHING (FRONT) 502515 WITH 502516	502830	-	x	x	x	FEED DRIVING CONNECTION CARRIER FRAME SPRING STUD GRIP RING
	502704	x	x	x	x	BED CONNECTION BELT PULLEY WITH 502517 AND TWO 500319	502831	x	x	x	x	ARM SHAFT BUSHING (CENTER) SCREW PLUG
	502705	x	x	x	x	OIL PUMP DRIVING GEAR WITH 502506 AND TWO 1258	502832	x	x	x	x	FEED REGULATING SHAFT PLUG (FOR UN-USED HOLE)
	502710	x	x	x	x	FEED DRIVING ROCK SHAFT CRANK WITH 502559 AND TWO 624	502833	x	x	x	x	ARM COVER (BACK) GASKET
	502711-002	x	x	x	x	FEED BAR 502540-002 WITH PINCH SCREW 50578	502834	x	x	x	x	ARM OIL SHIELD AERATED PLASTIC RETAINER
	502712	x	x	x	x	BED SHAFT GEAR WITH 502519 AND TWO 1259	502835	-	-	x	-	NEEDLE VIBRATING ADJUSTING LEVER OIL GUIDE
	502713	x	x	x	x	HOOK DRIVING SHAFT BUSHING WITH 502533 AND 502566	502836	x	x	x	x	BED SHAFT WITH 502750 AND 502837
	502714	x	x	x	x	HOOK DRIVING SHAFT HELICAL GEAR 502567 WITH TWO 1259	502837	x	x	x	x	BED SHAFT
	502715	x	x	x	x	HOOK SHAFT BEVEL GEAR 502569 WITH TWO 1259	502838	x	x	x	x	BED SHAFT BUSHING (BACK)
	502716	x	x	x	x	BOBBIN CASE CAP CPL. 200592, 201016, 502528 AND 508300	502839	x	x	x	x	FEED DRIVING ECCENTRIC WITH 449, 500308 AND 502840
	502717	x	x	x	x	BOBBIN CASE LATCH LEVER	502840	x	x	x	x	FEED DRIVING ECCENTRIC
	502720	x	x	x	x	KNEE LIFTER ROCK SHAFT HUB 502591 WITH TWO 500332	502841	x	x	x	x	FEED DRIVING CONNECTION CPL. 502842, 502844, 502847, TWO 502848 AND FOUR 507863
	502723-002	x	x	x	x	ARM SHAFT CRANK WITH NEEDLE BAR CRANK	502843	x	x	x	x	FEED DRIVING CONNECTION LEVER
	502726	-	-	-	-	NEEDLE VIBRATING ADJUSTING BRACKET CPL. 502775, 502778, 502780 AND TWO EACH 502776 AND 502793	502844	x	x	x	x	FEED DRIVING CONNECTION LINK
	502751	x	x	x	x	NEEDLE VIBRATING CAM SHAFT BUSHING (BACK) PLUG	502845	x	x	x	x	FEED DRIVING CONNECTION LEVER HINGE PIN (2)
	502752	x	x	x	x	BED SHAFT BUSHING (CENTER) OIL TUBE PLUG	502847	x	x	x	x	FEED DRIVING CONNECTION CRANK WITH 1177 AND 502848
	502757	x	x	x	x	BED SHAFT PLUG	502848	x	x	x	x	FEED DRIVING CONNECTION
	502758	x	x	x	x	NEEDLE BAR YOKE CONNECTING LINK HINGE BEARING BUSHING (2)	502849	-	-	x	-	FEED REG. LATCH SHAFT AND CARRIER SCREW RETAINING SPRING
	502760	x	x	x	x	KNEE LIFTER ROCK FRAME HINGE STUD						
	502762	-	-	-	-	NEEDLE VIBRATING CAM SHAFT BUSHING (FRONT) PLUG						
	502763	x	x	x	x	NEEDLE POSITION ADJUSTING ECCENTRIC BUSHING (SMALL) SNAP RING (2)						
	502764	x	x	x	x	ARM SHAFT BUSHING (CENTER)						
	502770	x	x	x	x	OIL GUARD						
	502772	x	x	x	x	ARM LOWER FRONT (LOAD SET)						
	502772	x	x	x	x	NEEDLE POSITION ADJUSTING CAM REGULATING STUD						

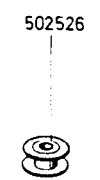
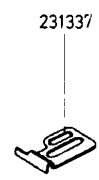
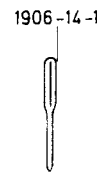
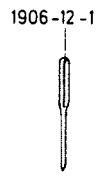
# ACCESSORIES FOR MACHINES 457 G 130, 457 G 135, 457 G 155 AND 457 GX6

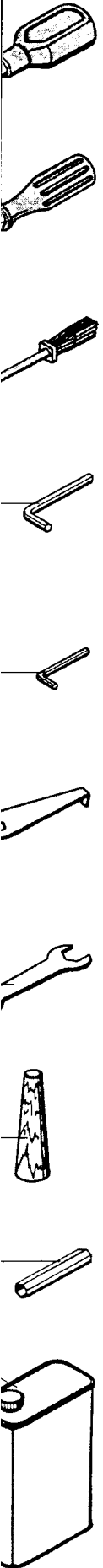
270  
50



- 225498
- 228476
- 144465
- 503669
- 503645
- 225554
- 225491
- 503673
- 121741

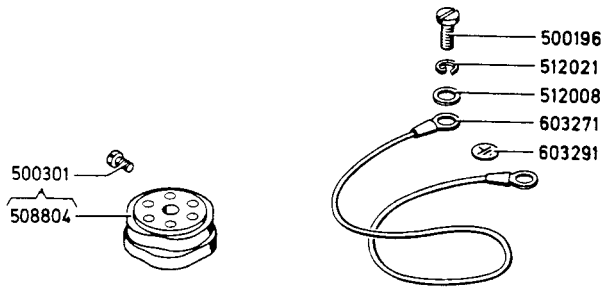
From the library of: Diamond Needle Corp





PART NO.	FOR CLASS 457 G				DESCRIPTION	PART NO.	FOR CLASS 457 G				DESCRIPTION
	130	135	155	GX6			130	135	155	GX6	
NO. 12	x	x	x	x	BOBBIN WINDER WOOD SCREW (3/4 INCH) (2)	051775-850	-	-	x	-	NEEDLE VIBRATING ADJUSTING LEVER STOP SCREW NUT (2)
NO. 12	x	x	x	x	THREAD UNWINDER WOOD SCREW (7/8 INCH) (3)						SCREW DRIVER
000061-850	x	x	x	x	ROTARY TAKE-UP GUARD HINGE SCREW	120440	x	x	x	x	ONE QUART CAN FILLED WITH LIGHT GRADE OIL
000084-850	x	x	x	x	KNEE LIFTER LIFTING LINK SCREW	121741	x	x	x	x	KNEE LIFTER ROCK FRAME HINGE SCREW
000129-850	-	x	x	x	FEED REGULATING SHAFT INDICATOR LEVER PINCH SCREW						NEEDLE BAR CRANK STUD PINCH SCREW
000160-850	x	x	x	x	ARM COVER (FRONT) SCREW (3)	140145-803	x	x	x	x	FEED DRIVING CONNECTION CARRIER FRAME BEARING STUD (RIGHT) SET SCREW
000160-850	x	x	x	x	NEEDLE BAR YOKE CONNECTING LINK HINGE BEARING PINCH SCREW	140346-833	x	x	x	x	STITCH LENGTH INDICATOR PLATE SCREW (2)
000160-850	x	x	-	x	NEEDLE POSITION ADJUSTING CAM SLIDING BLOCK BRACKET SCREW (2)	140753-850	-	x	x	x	HOOK NEEDLE GUARD AND COUNTERBALANCE SCREW
000160-850	-	x	x	x	FEED REGULATING CONNECTION SHAFT CRANK PINCH SCREW	141507-803	x	x	x	x	HOOK G18 SCREW (3)
000160-850	-	-	x	-	NEEDLE POSITION ADJUSTING ECCENTRIC SLIDE BLOCK BRACKET SCREW (2)	141525-806	x	x	x	x	MACHINE PULLEY POSITION SCREW
000176-850	x	x	x	x	ATTACHMENT SCREW	141566-833	x	x	x	x	MACHINE PULLEY SET SCREW
000190-850	x	x	x	x	BOBBIN CASE STOP SCREW	141567-833	x	x	x	x	HOOK DRIVING SHAFT BEVEL GEAR WITH TWO 1259
000199-850	x	x	x	x	KNEE LIFTER ROCK FRAME HINGE STUD LOCK SCREW	143014	x	x	x	x	WRENCH (1/8 INCH HEXAGON)
000201-850	x	x	x	x	OIL SIGHT BODY SCREW (2)	144465	x	x	x	x	TENSION RELEASING DISC
000207-803	x	x	x	x	ARM HEAD OIL DRAIN WICK CLAMP SCREW (2)	147151	-	-	x	-	TENSION SPRING
000223-850	x	x	x	x	NEEDLE SET SCREW	147152	-	-	x	-	THREAD UNWINDER SPOOL REST CUSHION (FELT) (2)
000237-833	x	x	x	x	THREAD CUTTER (ON ROTARY TAKE-UP GUARD) SCREW	150203	x	x	x	x	THREAD CUTTER (ON FACE PLATE) ADJUSTING SCREW NUT
000238-850	x	x	x	x	NEEDLE BAR THREAD GUIDE SET SCREW	182514-819	x	x	x	x	BOBBIN WINDER STOP LATCH SCREW
000238-850	x	x	x	x	BED SLIDE SPRING SCREW (2)	200056-805	x	x	x	x	BOBBIN WINDER TENSION BRACKET SCREW
000289-850	x	x	x	x	CLOTH GUIDE THUMB SCREW	200082-804	x	x	x	x	BOBBIN WINDER BRAKE CLAMP SCREW
000449-830	x	x	x	x	FEED DRIVING ECCENTRIC SET SCREW	200113-806	x	x	x	x	KNEE LIFTER LIFTING ROD COLLAR SET SCREW
000457-830	x	x	x	x	HOOK OIL BYPASS PLUG SCREW	200113-850	x	x	x	x	BOBBIN WINDER STOP LATCH TRIP HINGE SCREW (4)
000460-833	x	x	x	x	ARM SHAFT OIL SLINGER AND PINION SET SCREW	200299-819	x	x	x	x	FEED DRIVING ROCK SHAFT COLLAR SET SCREW (4)
000460-833	x	x	x	x	PRETENSION BRACKET SCREW	200393-833	x	x	x	x	BOBBIN CASE CAP TENSION SPRING SCREW
000460-833	x	x	x	x	THREAD PULL OFF SET SCREW	200592-803	x	x	x	x	BOBBIN CASE LATCH STOP SCREW
000624-833	x	x	-	x	NEEDLE BAR YOKE CONNECTING LINK CARRIER FRAME SLIDE STUD SET SCREW (2)	200964-803	x	x	x	x	BOBBIN CASE CAP TENSION SPRING REGULATING SCREW
000624-833	x	x	x	x	FEED BAR HINGE PIN SET SCREW (2)	201016-803	x	x	x	x	THREAD UNWINDER SPOOL REST SET SCREW
000624-833	x	x	x	x	BOBBIN WINDER PULLEY SET SCREW	201254-803	x	x	x	x	BOBBIN WINDER TENSION STUD
000690-850	-	-	x	-	NEEDLE VIBRATING ADJUSTING SHAFT CLAMPING BRACKET PINCH SCREW	201499-819	x	x	x	x	BOBBIN WINDER TENSION STUD THUMB NUT
000792-850	x	x	-	x	NEEDLE POSITION ADJUSTING LEVER SCREW (2)	201572-819	x	x	x	x	TENSION FELT WASHER (2)
000858-833	x	x	x	x	BED SHAFT BUSHING (FRONT, CENTER, BACK) SET SCREW (3)	202079	x	x	-	x	BOBBIN WINDER STOP LATCH TRIP LEVER
000858-833	x	x	x	x	HOOK DRIVING SHAFT BUSHING SET SCREW	202478	x	x	x	x	FEED DRIVING ROCK SHAFT COLLAR (2) WITH TWO EACH 200393
000858-833	x	x	x	x	HOOK SHAFT PRESSURE BUSHING SET SCREW	210505	x	x	x	x	BED PLATE (BACK)
000998-833	x	x	x	x	OIL RETURN TUBE SCREW	210735	x	x	x	x	BOBBIN CASE LATCH FULCRUM PIN
001147-850	-	-	x	-	NEEDLE VIBRATING ADJUSTING GUIDE CRANK SET SCREW	210736	x	x	x	x	BOBBIN CASE LATCH SPRING
001177-850	x	x	x	x	FEED DRIVING CONNECTION CRANK PINCH SCREW	210913	x	x	x	x	BOBBIN CASE LATCH
001186-850	x	x	x	x	OIL PUMP MOUNTING SCREW (2)	210958	x	x	x	x	PRETENSION BRACKET COLLAP
001258-830	x	x	x	x	OIL PUMP DRIVING GEAR SET SCREW (2)	210993	x	x	x	x	PRETENSION BRACKET SLEEVE
001259-830	x	x	x	x	NEEDLE BAR CRANK STUD POSITION SCREW	214206	x	x	x	x	ARM SHAFT CONNECTION BELT PULLEY SPRING FLANGE
001259-830	x	x	x	x	BED SHAFT GEAR SET SCREW (2)	225381	x	x	x	x	BOBBIN WINDER SPINDLE
001259-830	x	x	x	x	HOOK DRIVING SHAFT HELICAL GEAR SET SCREW (2)	225444	x	x	x	x	BOBBIN WINDER STOP LATCH
001259-830	x	x	x	x	HOOK SHAFT BEVEL GEAR SET SCREW (2)	225453	x	x	x	x	BOBBIN WINDER FRAME WITH 24407 AND 259
001259-830	x	x	x	x	HOOK SHAFT BEVEL GEAR SET SCREW (2)	225454	x	x	x	x	BOBBIN WINDER FRAME HINGE PIN
001266-830	x	x	x	x	NEEDLE VIBRATING WORM WHEEL SET SCREW (4)	225455	x	x	x	x	BOBBIN WINDER FRAME SPRING
001349-850	x	x	x	x	PRESSER BAR LIFTER HINGE SCREW	225456	x	x	x	x	BOBBIN WINDER FRAME SPRING PLUNGER
001434-850	x	x	x	x	ROTARY TAKE-UP GUARD SCREW (SHORT)	225458	x	x	x	x	BOBBIN WINDER STOP LATCH THUMB LEVER
001472-850	x	x	x	x	HOOK SHAFT BUSHING (FRONT) SET SCREW (3)	225459	x	x	x	x	BOBBIN WINDER STOP LATCH THUMB LEVER HINGE AND JOINT STUD (2)
001485-850	x	x	x	x	ROTARY TAKE-UP GUARD SCREW (LONG)	225461	x	x	x	x	BOBBIN WINDER TENSION BRACKET WITH 201
001529-830	x	x	x	x	SPRING CATCH SCREW NUT	225462	x	x	x	x	BOBBIN WINDER TENSION BRACKET WITH 13710, 201572, 225461 AND TWO 2102
001560-850	x	x	-	x	TENSION THUMB NUT	225491	x	x	x	x	MACHINE REST PIN (WOOD)
001654-850	x	x	x	x	THREAD RETAINER LOCK NUT	225498	x	x	x	x	SCREW DRIVER
001664-850	x	x	x	x	NEEDLE VIBRATING CAM ROLLER STUD NUT	225554	x	x	x	x	WRENCH
001747-850	x	x	x	x	TENSION RELEASER ADJUSTING SCREW LOCK NUT	227227	x	x	x	x	KNEE LIFTER LIFTING ROD COLLAR WITH 200
1906-12-1	x	x	x	x	NEEDLE (3)	228026	x	x	x	x	BOBBIN WINDER TENSION BRACKET SCREW WASHER
1906-14-1	x	x	x	x	NEEDLE (1+2)	228364	x	x	x	x	KNEE LIFTER KNEE PLATE WITH 350251
002102	-	-	x	-	TENSION DISC (2)	228476	x	x	x	x	SCREW DRIVER (BOBBIN CASE)
002102	x	x	x	x	BOBBIN WINDER TENSION DISC (2)	228764	x	x	x	x	THREAD UNWINDER SPOOL PIN (2)
012361	x	x	x	x	MACHINE HINGE CONNECTION (2)	228766	x	x	x	x	THREAD UNWINDER SPOOL REST WITH 201254
013710	x	x	x	x	BOBBIN WINDER TENSION SPRING	228767	x	x	x	x	THREAD UNWINDER SPOOL REST ROD
032574	-	-	x	-	TENSION RELEASING PIN	228768	x	x	x	x	THREAD UNWINDER SPOOL STAND
050130-833	x	x	x	x	FEED REVERSING FOOT CONTROL LEVER PIN COLLAR SET SCREW	228769	x	x	x	x	THREAD UNWINDER THREAD GUIDE (2)
050305-850	x	x	x	x	TENSION STUD SET SCREW	228770	x	x	x	x	THREAD UNWINDER THREAD GUIDE HOLDER
050311-830	x	x	x	x	OIL PUMP GEAR SET SCREW (2)	228774	x	x	x	x	THREAD UNWINDER THREAD GUIDE ROD
050429-833	x	x	x	x	PRETENSION BRACKET SCREW	228776	x	x	x	x	THREAD UNWINDER CPL. (FOR TWO SPOOLS)
050429-833	x	x	x	x	THREAD CUTTER (ON FACE PLATE) ADJUSTING SCREW	228766, 228767, 228768, 228770, 228774,					TWO EACH 150203, 228764, 228769 AND THREE WOOD SCREWS NO. 12 (3/4 INCH)
050578-850	x	x	x	x	FEED BAR LIFTING LINK HINGE PIN PINCH SCREW	230743	x	x	x	x	HINGE SCREW THRUST WASHER
050624-830	x	x	x	x	FEED DOG SCREW (2)	231337	x	x	x	x	CLOTH GUIDE
051334-830	-	x	x	x	FEED REGULATING CONNECTION SHAFT COLLAR SET SCREW (2)	244071	x	x	x	x	BOBBIN WINDER FRAME OIL PACKING WICK
051369-850	-	-	x	-	NEEDLE VIBRATING ADJUSTING CRANK PINCH SCREW	259428	x	x	x	x	BOBBIN WINDER BRAKE (LEATHER)
051369-850	x	x	x	x	NEEDLE BAR CONNECTING STUD GUIDE BLOCK SCREW (2)	259429	x	x	x	x	BOBBIN WINDER BRAKE CLAMP
051369-850	x	x	x	x	NEEDLE BAR CONNECTING LINK CLAMPING PLATE SCREW (2)	259462	x	x	x	x	UNIVERSAL BOBBIN WINDER CPL. 200056,
051369-850	x	x	x	x	PRESSER BAR POSITION GUIDE PINCH SCREW	259660	x	x	x	x	200082, 200113, 200299, 202478, 225381, 2254-
051369-850	x	x	x	x	FEED DRIVING CONNECTION CARRIER FRAME SLIDE STUD SET SCREW	259662	x	x	x	x	225453 TO 225456, 225458, 225462, 228026,
051388-850	x	x	x	x	FEED BAR LIFTING LINK HINGE PIN CAP SCREW	259930	x	x	x	x	259428, 259429, 259662, 259930, TWO EACH
						270086	x	x	-	x	225459 AND WOOD SCREW NO. 12 (3/4 INCH)
						270161	x	x	x	x	BOBBIN WINDER FRAME OIL WELL WASHER
						270266	x	x	x	x	BOBBIN WINDER AND TENSION BRACKET BASE
						271808	x	x	x	x	BOBBIN WINDER PULLEY WITH 624
						272128	x	x	x	x	TENSION RELEASING PIN
											NEEDLE BAR CRANK STUD PIN
											NEEDLE BAR CONNECTING LINK NEEDLE BEARING
											HOOK SHAFT OIL FILTER WICK HOLDER SEAL
											ROTARY TAKE-UP GUARD COVER WINDOW

Fig. 100-1000 of Diamond Needle Corp.



From the library of: Diamond Needle Corp

### Accessories

<p>500196-814 500301-850 508804 512008 512021 603271 603291</p>	<p>MACHINE GROUNDING WIRE SCREW FEED CONTROL CAM SET SCREW (2) FOR ACCESSORIES FEED CONTROL CAM (FOR ACCESSORIES) WITH TWO 500301 MACHINE GROUNDING WIRE WASHER MACHINE GROUNDING WIRE LOCK WASHER MACHINE GROUNDING WIRE MACHINE GROUNDING WIRE MACHINE GROUNDING WIRE SYMBOL</p>
---	--

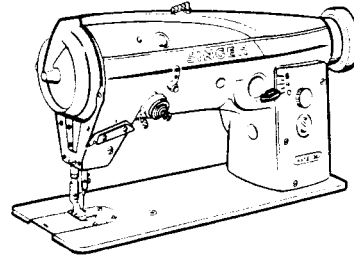
PART NO.	DESCRIPTION	PART NO.	DESCRIPTION
----------	-------------	----------	-------------



CLASS 457 G 135 155 GX6	DESCRIPTION	PART NO.	FOR CLASS 457 G 130 135 155 GX6	DESCRIPTION
x	MACHINE BASE AND OIL RESERVOIR GASKET	508570	-	ARM COVER (FRONT) 508571 WITH 502829
x	OIL FILTER WITH OIL FILTER MOUNTING	508571	-	ARM COVER (FRONT) 508571 WITH 502829
x	SUPPORT	508581	-	ARM COVER (FRONT) 508582 WITH 502829
x	BED SLIDE SPRING	508581	-	ARM COVER (FRONT) 508582 WITH 502829
x	BED SLIDE CPL. 502822, 508506 AND	508581	-	ARM COVER (FRONT) 508582 WITH 502829
x	TWO 238	508582	-	ARM COVER (FRONT) 508582 WITH 502829
x	MACHINE PULLEY WITH 141566, 141567	508582	-	ARM COVER (FRONT) 508582 WITH 502829
x	PAIR OF NEEDLE VIBRATING WORM GEAR	508584	-	ARM COVER (FRONT) 508582 WITH 502829
x	AND 272142	508584	-	ARM COVER (FRONT) 508582 WITH 502829
x	AND NEEDLE VIBRATING WORM WHEEL	508585	-	ARM COVER (FRONT) 508582 WITH 502829
x	WITH TWO 500301 AND FOUR 1266	508585	-	ARM COVER (FRONT) 508582 WITH 502829
x	OIL DISTRIBUTOR PLATE	508586	-	ARM COVER (FRONT) 508582 WITH 502829
x	THREAD CUTTER ION FACE PLATE	508587	-	ARM COVER (FRONT) 508582 WITH 502829
x	NEEDLE BAR YOKE CONNECTING LINK	508588	-	ARM COVER (FRONT) 508582 WITH 502829
x	PAIR OF NEEDLE VIBRATING WORM GEAR	508588	-	ARM COVER (FRONT) 508582 WITH 502829
x	AND NEEDLE VIBRATING WORM WHEEL	508588	-	ARM COVER (FRONT) 508582 WITH 502829
x	WITH TWO 500301 AND FOUR 1266	508588	-	ARM COVER (FRONT) 508582 WITH 502829
x	FEED DRIVING CONNECTION CARRIER	508590	-	ARM COVER (FRONT) 508582 WITH 502829
x	FEED DRIVING CONNECTION CARRIER	508590	-	ARM COVER (FRONT) 508582 WITH 502829
x	FACE PLATE	508590	-	ARM COVER (FRONT) 508582 WITH 502829
x	TENSION CPL. 32574, 147151, 147152,	508604	-	ARM COVER (FRONT) 508582 WITH 502829
x	Z74225, 502668, 502698, 508654 AND TWO	508604	-	ARM COVER (FRONT) 508582 WITH 502829
x	2102	508604	-	ARM COVER (FRONT) 508582 WITH 502829
x	NEEDLE POSITION ADJUSTING ECCENTRIC	508651	-	ARM COVER (FRONT) 508582 WITH 502829
x	FRAME STOP (FRONT)	508651	-	ARM COVER (FRONT) 508582 WITH 502829
x	BOBBIN CASE TENSION SPRING	508651	-	ARM COVER (FRONT) 508582 WITH 502829
x	BOBBIN CASE BASE	508651	-	ARM COVER (FRONT) 508582 WITH 502829
x	HOOK BODY WITH 502563	508653	-	ARM COVER (FRONT) 508582 WITH 502829
x	HOOK NEEDLE GUARD AND COUNTERBALANCE	508653	-	ARM COVER (FRONT) 508582 WITH 502829
x	BACK) WASHER	508654	-	ARM COVER (FRONT) 508582 WITH 502829
x	NEEDLE VIBRATING CAM SHAFT BUSHING	508654	-	ARM COVER (FRONT) 508582 WITH 502829
x	(BACK) WASHER	508654	-	ARM COVER (FRONT) 508582 WITH 502829
x	TENSION THUMB NUT CAP	508660	-	ARM COVER (FRONT) 508582 WITH 502829
x	HOOK AND BOBBIN CASE CPL. 502531	508660	-	ARM COVER (FRONT) 508582 WITH 502829
x	AND 508661	508660	-	ARM COVER (FRONT) 508582 WITH 502829
x	WASHER	508661	-	ARM COVER (FRONT) 508582 WITH 502829
x	NEEDLE VIBRATING CAM ROLLER STUD	508674	-	ARM COVER (FRONT) 508582 WITH 502829
x	NEEDLE VIBRATING CAM ROLLER (2)	508674	-	ARM COVER (FRONT) 508582 WITH 502829
x	NEEDLE VIBRATING CAM ROLLER GUIDE	508674	-	ARM COVER (FRONT) 508582 WITH 502829
x	NEEDLE VIBRATING CAM ROLLER GUIDE	508674	-	ARM COVER (FRONT) 508582 WITH 502829
x	COMPENSATING LINK	502964 AND 508542	-	ARM COVER (FRONT) 508582 WITH 502829
x	NEEDLE VIBRATING CAM WITH TWO 500301	502964 AND 508542	-	ARM COVER (FRONT) 508582 WITH 502829
x	NEEDLE BAR YOKE CONNECTING LINK	502964 AND 508542	-	ARM COVER (FRONT) 508582 WITH 502829
x	CPL. 1664, 502801, 502785, 502817, 502961,	502964 AND 508542	-	ARM COVER (FRONT) 508582 WITH 502829
x	503141, 508519, 508539, 508540, 508541,	502964 AND 508542	-	ARM COVER (FRONT) 508582 WITH 502829
x	508543, TWO EACH 502793, 502802, 502958,	502964 AND 508542	-	ARM COVER (FRONT) 508582 WITH 502829
x	502964 AND 508542	502964 AND 508542	-	ARM COVER (FRONT) 508582 WITH 502829

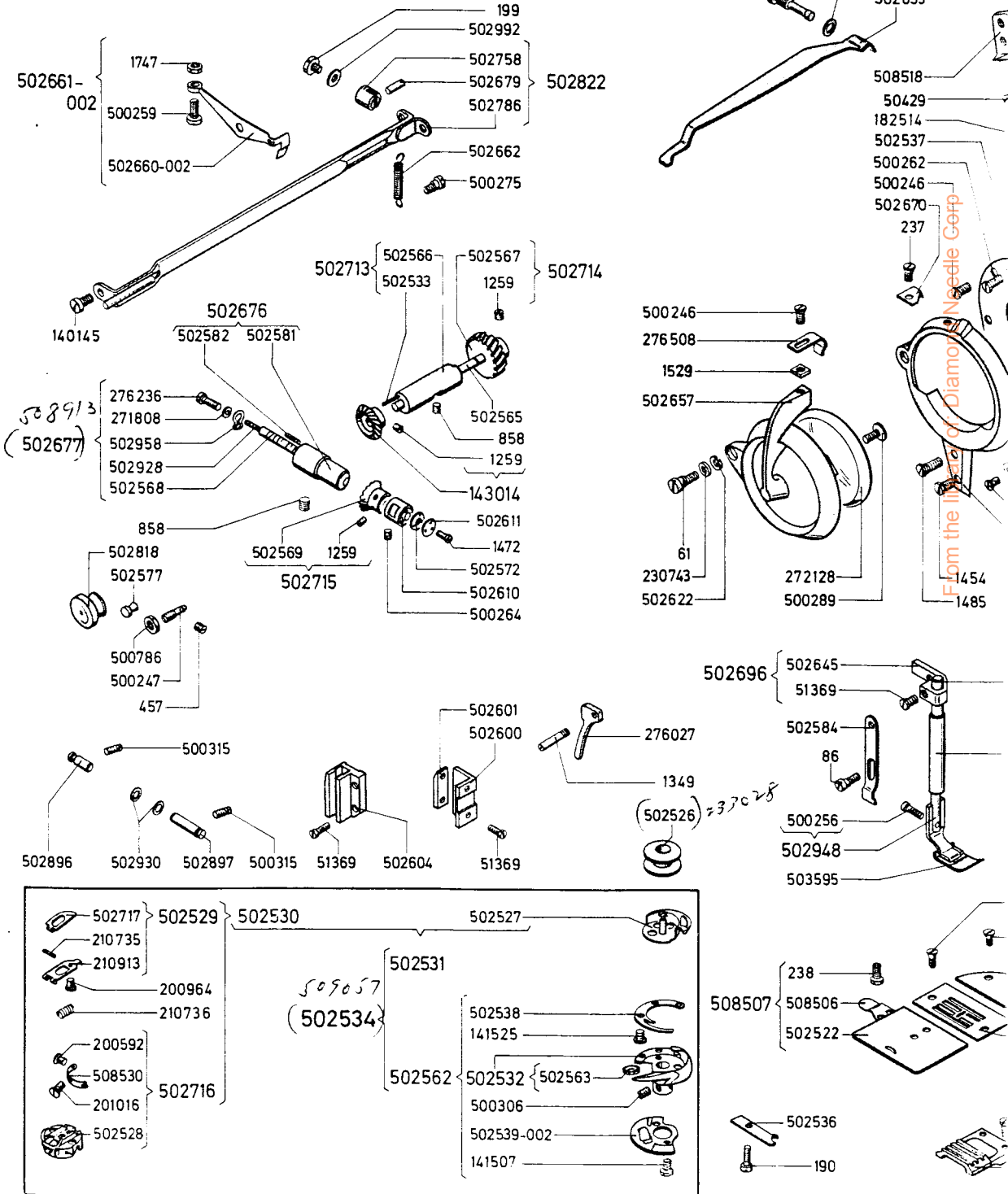
# SINGER

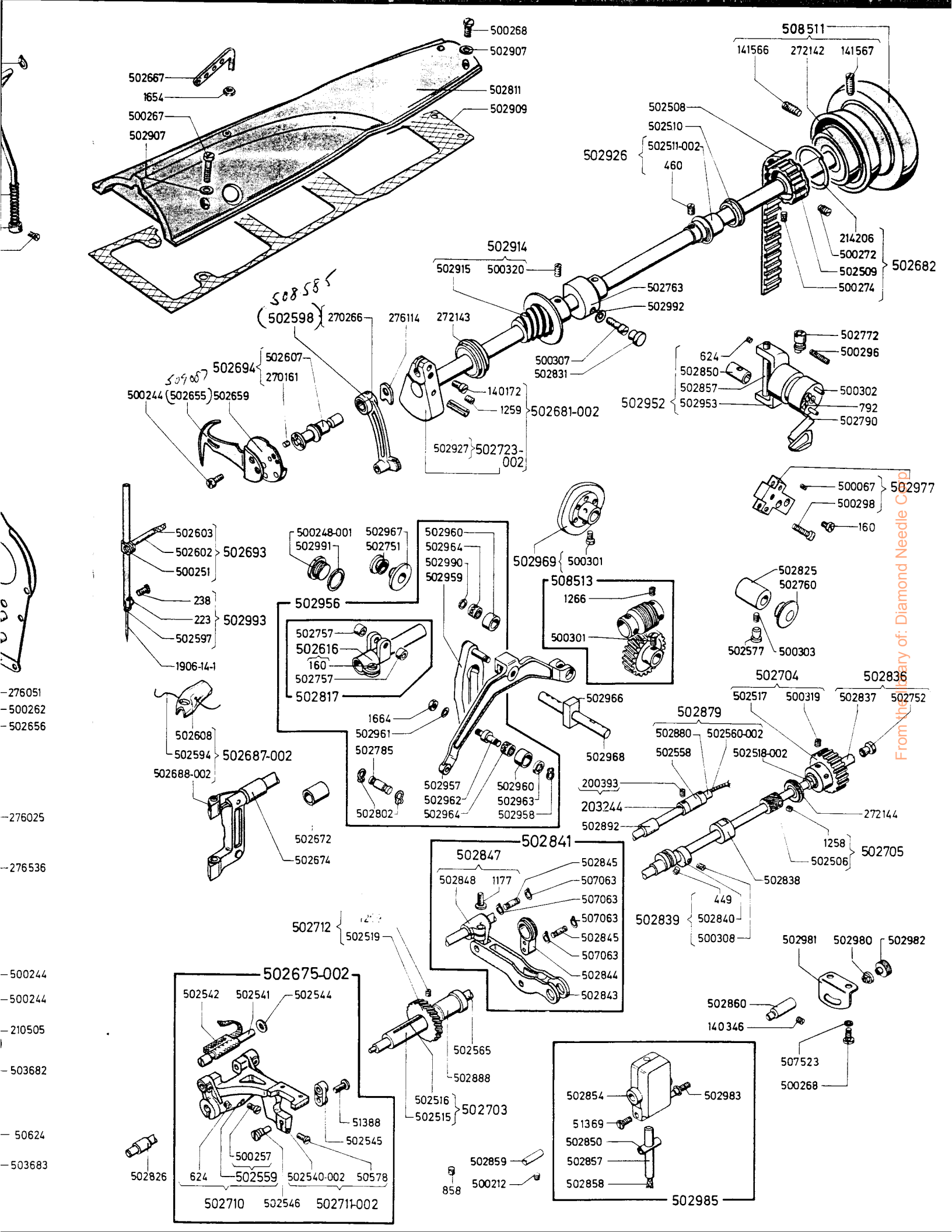
ILLUSTRATED  
PARTS LIST  
FORM - NO. 30-332 G  
(368/930)  
FOR MACHINES  
457 G 130, 457 G 135,  
457 G 155, 457 GX6



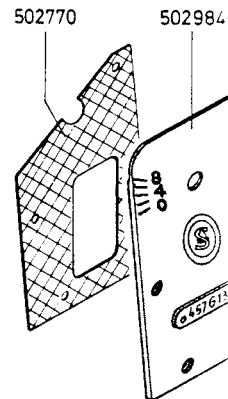
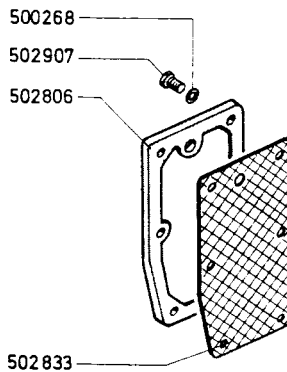
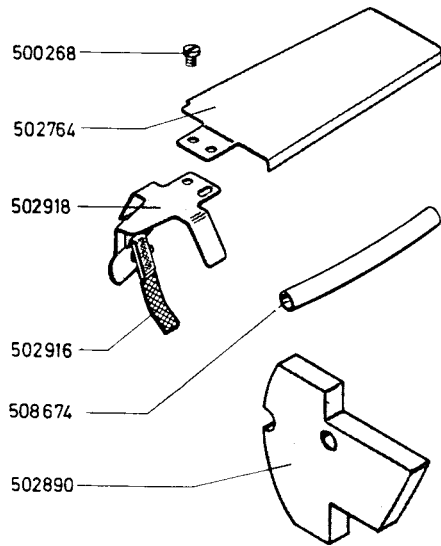
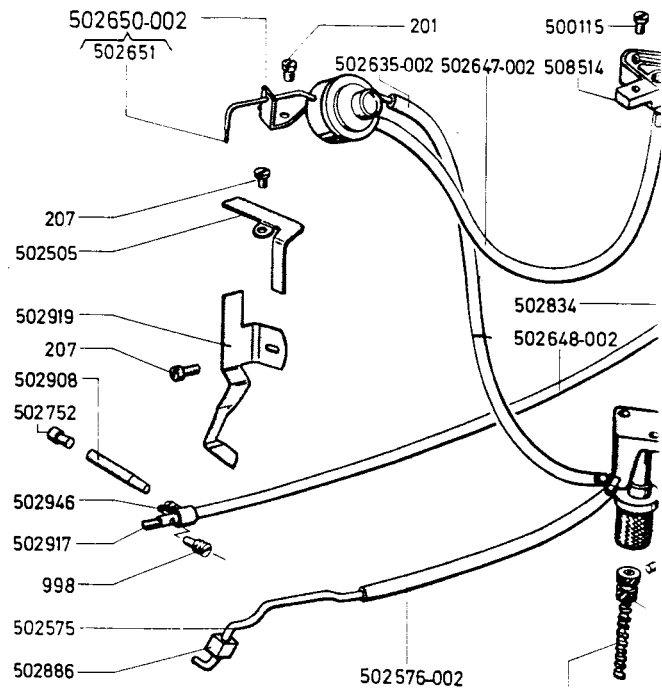
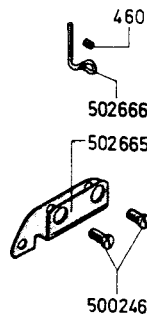
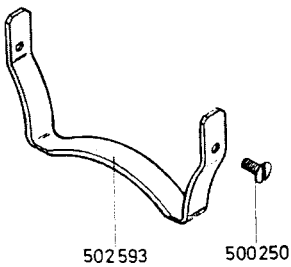
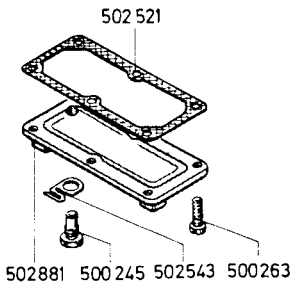
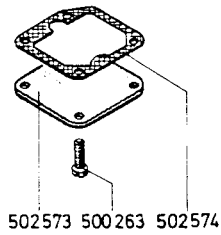
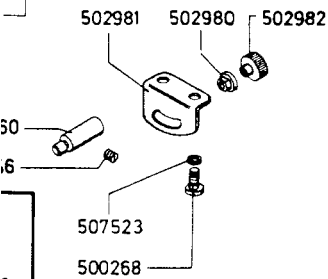
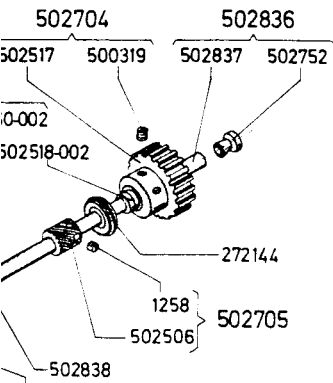
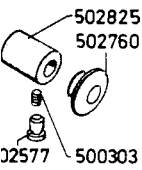
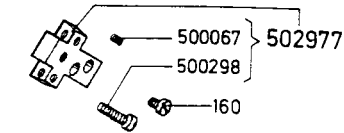
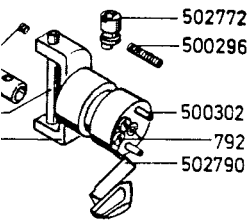
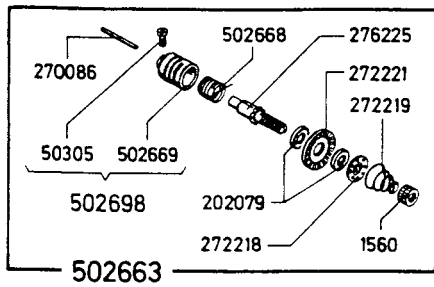
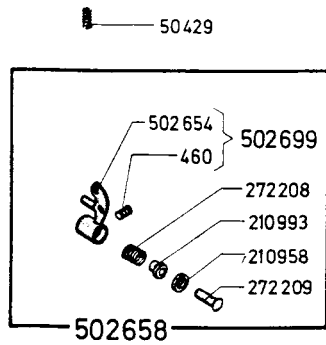
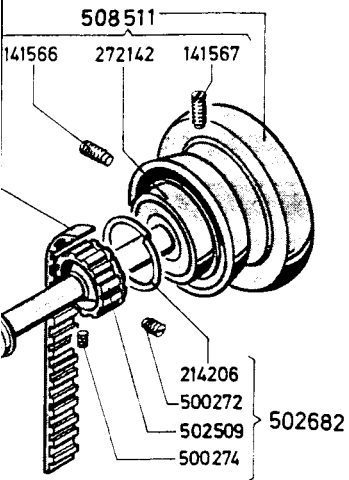
MACHINE 457 G 130

PARTS FOR MACHINES 457 G 130, 457 G 135,  
457 G 155 AND 457 GX6 (SEE NUMERICAL  
PARTS LIST ON REVERSE PAGE).



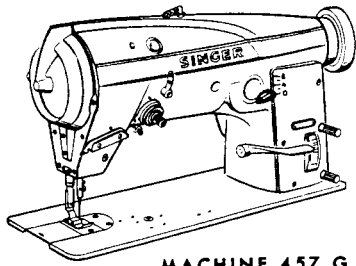


- 502667
- 1654
- 500267
- 502907
- 50268
- 502907
- 502811
- 502909
- 508511
- 141566
- 272142
- 141567
- 502508
- 502510
- 502511-002
- 460
- 502926
- 214206
- 500272
- 502509
- 500274
- 502682
- 502914
- 502915
- 500320
- 502763
- 502992
- 502598
- 270266
- 276114
- 272143
- 500307
- 502831
- 140172
- 1259
- 502681-002
- 502952
- 502772
- 500296
- 624
- 502850
- 502857
- 502953
- 500302
- 792
- 502790
- 502694
- 502607
- 270161
- 500244 (502655)
- 502659
- 502603
- 502602
- 500251
- 238
- 223
- 502597
- 1906-14-1
- 502693
- 502993
- 500248-001
- 502991
- 502967
- 502751
- 502960
- 502964
- 502990
- 502959
- 502969
- 500301
- 502977
- 500067
- 502978
- 160
- 502825
- 502760
- 502577
- 500303
- 502704
- 502836
- 502517
- 500319
- 502837
- 502752
- 502608
- 502594
- 502687-002
- 502688-002
- 1664
- 502961
- 502785
- 502957
- 502962
- 502963
- 502964
- 502958
- 502966
- 502968
- 200393
- 203244
- 502892
- 502879
- 502880
- 502558
- 502560-002
- 502518-002
- 272144
- 1258
- 502506
- 502705
- 502672
- 502674
- 502847
- 502848
- 1177
- 502845
- 507063
- 507063
- 507063
- 502845
- 507063
- 502844
- 502843
- 502841
- 502839
- 502840
- 500308
- 502838
- 449
- 502879
- 502880
- 502558
- 502560-002
- 502518-002
- 272144
- 1258
- 502506
- 502705
- 502672
- 502674
- 502847
- 502848
- 1177
- 502845
- 507063
- 507063
- 507063
- 502845
- 507063
- 502844
- 502843
- 502841
- 502839
- 502840
- 500308
- 502838
- 449
- 502879
- 502880
- 502558
- 502560-002
- 502518-002
- 272144
- 1258
- 502506
- 502705
- 502672
- 502674
- 502847
- 502848
- 1177
- 502845
- 507063
- 507063
- 507063
- 502845
- 507063
- 502844
- 502843
- 502841
- 502839
- 502840
- 500308
- 502838
- 449
- 502879
- 502880
- 502558
- 502560-002
- 502518-002
- 272144
- 1258
- 502506
- 502705
- 502672
- 502674
- 502847
- 502848
- 1177
- 502845
- 507063
- 507063
- 507063
- 502845
- 507063
- 502844
- 502843
- 502841
- 502839
- 502840
- 500308
- 502838
- 449
- 502879
- 502880
- 502558
- 502560-002
- 502518-002
- 272144
- 1258
- 502506
- 502705
- 502672
- 502674
- 502847
- 502848
- 1177
- 502845
- 507063
- 507063
- 507063
- 502845
- 507063
- 502844
- 502843
- 502841
- 502839
- 502840
- 500308
- 502838
- 449
- 502879
- 502880
- 502558
- 502560-002
- 502518-002
- 272144
- 1258
- 502506
- 502705
- 502672
- 502674
- 502847
- 502848
- 1177
- 502845
- 507063
- 507063
- 507063
- 502845
- 507063
- 502844
- 502843
- 502841
- 502839
- 502840
- 500308
- 502838
- 449
- 502879
- 502880
- 502558
- 502560-002
- 502518-002
- 272144
- 1258
- 502506
- 502705
- 502672
- 502674
- 502847
- 502848
- 1177
- 502845
- 507063
- 507063
- 507063
- 502845
- 507063
- 502844
- 502843
- 502841
- 502839
- 502840
- 500308
- 502838
- 449
- 502879
- 502880
- 502558
- 502560-002
- 502518-002
- 272144
- 1258
- 502506
- 502705
- 502672
- 502674
- 502847
- 502848
- 1177
- 502845
- 507063
- 507063
- 507063
- 502845
- 507063
- 502844
- 502843
- 502841
- 502839
- 502840
- 500308
- 502838
- 449
- 502879
- 502880
- 502558
- 502560-002
- 502518-002
- 272144
- 1258
- 502506
- 502705
- 502672
- 502674
- 502847
- 502848
- 1177
- 502845
- 507063
- 507063
- 507063
- 502845
- 507063
- 502844
- 502843
- 502841
- 502839
- 502840
- 500308
- 502838
- 449
- 502879
- 502880
- 502558
- 502560-002
- 502518-002
- 272144
- 1258
- 502506
- 502705
- 502672
- 502674
- 502847
- 502848
- 1177
- 502845
- 507063
- 507063
- 507063
- 502845
- 507063
- 502844
- 502843
- 502841
- 502839
- 502840
- 500308
- 502838
- 449
- 502879
- 502880
- 502558
- 502560-002
- 502518-002
- 272144
- 1258
- 502506
- 502705
- 502672
- 502674
- 502847
- 502848
- 1177
- 502845
- 507063
- 507063
- 507063
- 502845
- 507063
- 502844
- 502843
- 502841
- 502839
- 502840
- 500308
- 502838
- 449
- 502879
- 502880
- 502558
- 502560-002
- 502518-002
- 272144
- 1258
- 502506
- 502705
- 502672
- 502674
- 502847
- 502848
- 1177
- 502845
- 507063
- 507063
- 507063
- 502845
- 507063
- 502844
- 502843
- 502841
- 502839
- 502840
- 500308
- 502838
- 449
- 502879
- 502880
- 502558
- 502560-002
- 502518-002
- 272144
- 1258
- 502506
- 502705
- 502672
- 502674
- 502847
- 502848
- 1177
- 502845
- 507063
- 507063
- 507063
- 502845
- 507063
- 502844
- 502843
- 502841
- 502839
- 502840
- 500308
- 502838
- 449
- 502879
- 502880
- 502558
- 502560-002
- 502518-002
- 272144
- 1258
- 502506
- 502705
- 502672
- 502674
- 502847
- 502848
- 1177
- 502845
- 507063
- 507063
- 507063
- 502845
- 507063
- 502844
- 502843
- 502841
- 502839
- 502840
- 500308
- 502838
- 449
- 502879
- 502880
- 502558
- 502560-002
- 502518-002
- 272144
- 1258
- 502506
- 502705
- 502672
- 502674
- 502847
- 502848
- 1177
- 502845
- 507063
- 507063
- 507063
- 502845
- 507063
- 502844
- 502843
- 502841
- 502839
- 502840
- 500308
- 502838
- 449
- 502879
- 502880
- 502558
- 502560-002
- 502518-002
- 272144
- 1258
- 502506
- 502705
- 502672
- 502674
- 502847
- 502848
- 1177
- 502845
- 507063
- 507063
- 507063
- 502845
- 507063
- 502844
- 502843
- 502841
- 502839
- 502840
- 500308
- 502838
- 449
- 502879
- 502880
- 502558
- 502560-002
- 502518-002
- 272144
- 1258
- 502506
- 502705
- 502672
- 502674
- 502847
- 502848
- 1177
- 502845
- 507063
- 507063
- 507063
- 502845
- 507063
- 502844
- 502843
- 502841
- 502839
- 502840
- 500308
- 502838
- 449
- 502879
- 502880
- 502558
- 502560-002
- 502518-002
- 272144
- 1258
- 502506
- 502705
- 502672
- 502674
- 502847
- 502848
- 1177
- 502845
- 507063
- 507063
- 507063
- 502845
- 507063
- 502844
- 502843
- 502841
- 502839
- 502840
- 500308
- 502838
- 449
- 502879
- 502880
- 502558
- 502560-002
- 502518-002
- 272144
- 1258
- 502506
- 502705
- 502672
- 502674
- 502847
- 502848
- 1177
- 502845
- 507063
- 507063
- 507063
- 502845
- 507063
- 502844
- 502843
- 502841
- 502839
- 502840
- 500308
- 502838
- 449
- 502879
- 502880
- 502558
- 502560-002
- 502518-002
- 272144
- 1258
- 502506
- 502705
- 502672
- 502674
- 502847
- 502848
- 1177
- 502845
- 507063
- 507063
- 507063
- 502845
- 507063
- 502844
- 502843
- 502841
- 502839
- 502840
- 500308
- 502838
- 449
- 502879
- 502880
- 502558
- 502560-002
- 502518-002
- 272144
- 1258
- 502506
- 502705
- 502672
- 502674
- 502847
- 502848
- 1177
- 502845
- 507063
- 507063
- 507063
- 502845
- 507063
- 502844
- 502843
- 502841
- 502839
- 502840
- 500308
- 502838
- 449
- 502879
- 502880
- 502558
- 502560-002
- 502518-002
- 272144
- 1258
- 502506
- 502705
- 502672
- 502674
- 502847
- 502848
- 1177
- 502845
- 507063
- 507063
- 507063
- 502845
- 507063
- 502844
- 502843
- 502841
- 502839
- 502840
- 500308
- 502838
- 449
- 502879
- 502880
- 502558
- 502560-002
- 502518-002
- 272144
- 1258
- 502506
- 502705
- 502672
- 502674
- 502847
- 502848
- 1177
- 502845
- 507063
- 507063
- 507063
- 502845
- 507063
- 502844
- 502843
- 502841
- 502839
- 502840
- 500308
- 502838
- 449
- 502879
- 502880
- 502558
- 502560-002
- 502518-002
- 272144
- 1258
- 502506
- 502705
- 502672
- 502674
- 502847
- 502848
- 1177
- 502845
- 507063
- 507063
- 507063
- 502845
- 507063
- 502844
- 502843
- 502841
- 502839
- 502840
- 500308
- 502838
- 449
- 502879
- 502880
- 502558
- 502560-002
- 502518-002
- 272144
- 1258
- 502506
- 502705
- 502672
- 502674
- 502847
- 502848
- 1177
- 502845
- 507063
- 507063
- 507063
- 502845
- 507063
- 502844
- 502843
- 502841
- 502839
- 502840
- 500308
- 502838
- 449
- 502879
- 502880
- 502558
- 502560-002
- 502518-002
- 272144
- 1258
- 502506
- 502705
- 502672
- 502674
- 502847
- 502848
- 1177
- 502845
- 507063
- 507063
- 507063
- 502845
- 507063
- 502844
- 502843
- 502841
- 502839
- 502840
- 500308
- 502838
- 449
- 502879
- 502880
- 502558
- 502560-002
- 502518-002
- 272144
- 1258
- 502506
- 502705
- 502672
- 502674
- 502847
- 502848
- 1177
- 502845
- 507063
- 507063
- 507063
- 502845
- 507063
- 502844
- 502843
- 502841
- 502839
- 502840
- 500308
- 502838
- 449
- 502879
- 502880
- 502558
- 502560-002
- 502518-002
- 272144
- 1258
- 502506
- 502705
- 502672
- 502674
- 502847
- 502848
- 1177
- 502845
- 507063
- 507063
- 507063
- 502845
- 507063
- 502844
- 502843
- 502841
- 502839
- 502840
- 500308
- 502838
- 449
- 502879
- 502880
- 502558
- 502560-002
- 502518-002
- 272144
- 1258
- 502506
- 502705
- 502672
- 502674
- 502847
- 502848
- 1177
- 502845
- 507063
- 507063
- 507063
- 502845
- 507063
- 502844
- 502843
- 502841
- 502839
- 502840
- 500308
- 502838
- 449
- 502879
- 502880
- 502558
- 502560-002
- 502518-002
- 272144
- 1258
- 502506
- 502705
- 502672
- 502674
- 502847
- 502848
- 1177
- 502845
- 507063
- 507063
- 507063
- 502845
- 507063
- 502844
- 502843
- 502841
- 502839
- 502840
- 500308
- 502838
- 449
- 502879
- 502880
- 502558
- 502560-002
- 502518-002
- 272144
- 1258
- 502506
- 502705
- 502672
- 502674
- 502847
- 502848
- 1177
- 502845
- 507063
- 507063
- 507063
- 502845
- 507063
- 502844
- 502843
- 502841
- 502839
- 502840
- 500308
- 502838
- 449
- 502879
- 502880
- 502558
- 502560-002
- 502518-002
- 272144
- 1258
- 502506
- 502705
- 502672
- 502674
- 502847
- 502848
- 1177
- 502845
- 507063
- 507063
- 507063
- 502845
- 507063
- 502844
- 502843
- 502841
- 502839
- 502840
- 500308
- 502838
- 449
- 502879
- 502880
- 502558
- 502560-002
- 502518-002
- 272144
- 1258
- 502506
- 502705
- 502672
- 502674
- 502847</

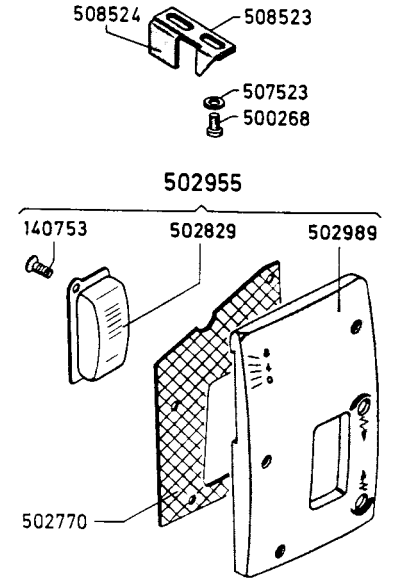
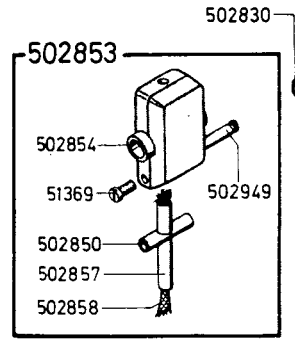
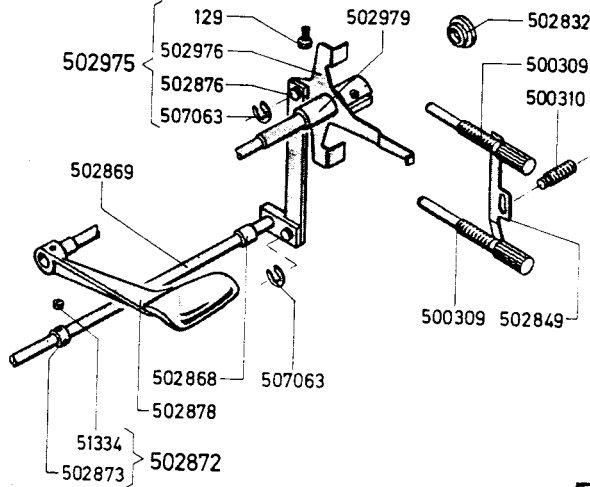


From the library of: Diamond Needle Corp

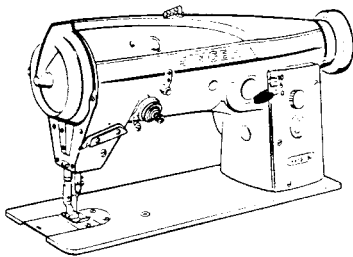
PARTS FOR MACHINE 457 G 135,  
 FOR PARTS NOT ILLUSTRATED AND/OR NOT  
 INDICATED BY REFERENCE NUMBERS,  
 REFER TO MACHINE 457 G 130.



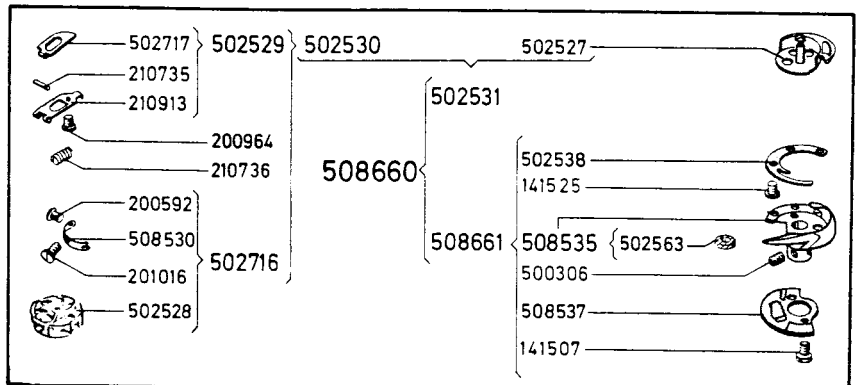
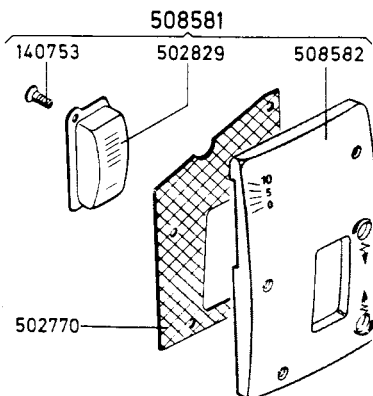
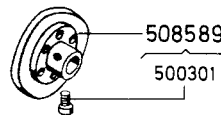
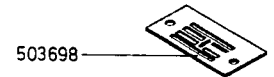
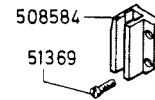
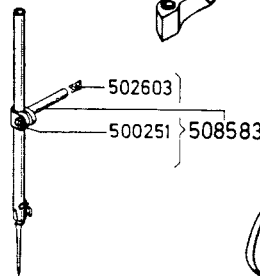
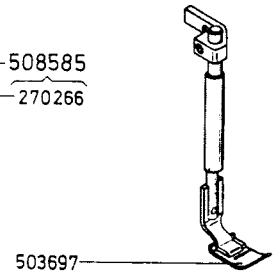
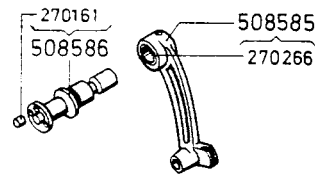
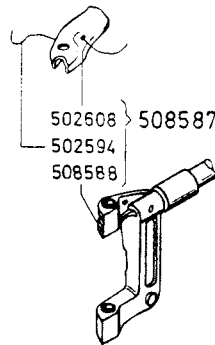
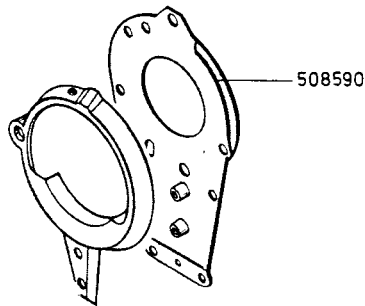
MACHINE 457 G 135



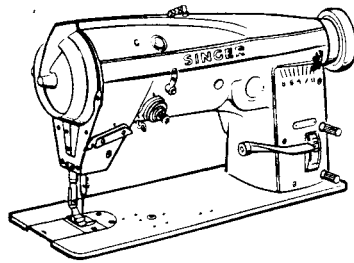
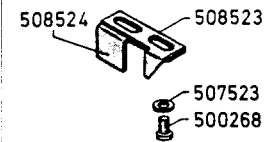
PARTS FOR MACHINE 457 GX6  
 FOR PARTS NOT ILLUSTRATED AND/OR NOT  
 INDICATED BY REFERENCE NUMBERS,  
 REFER TO MACHINE 457 G 130 AND 457 G 135.



MACHINE 457 GX6

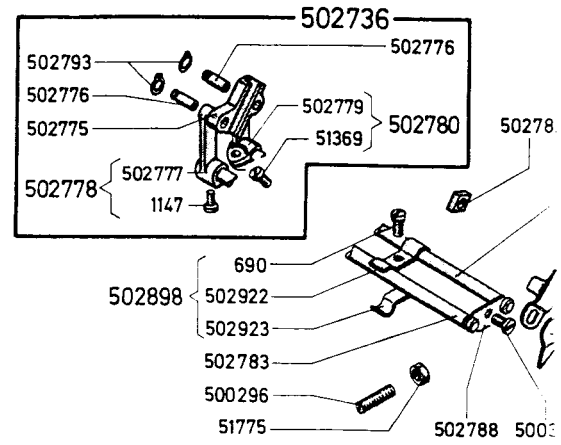
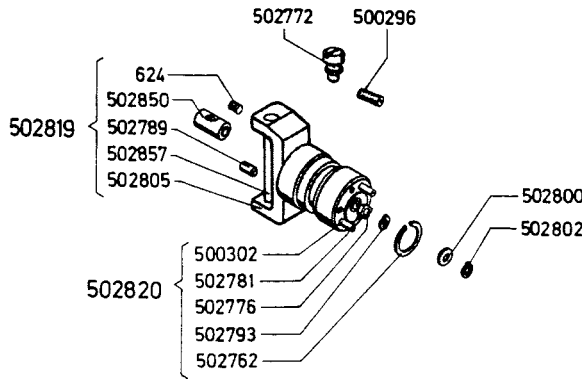
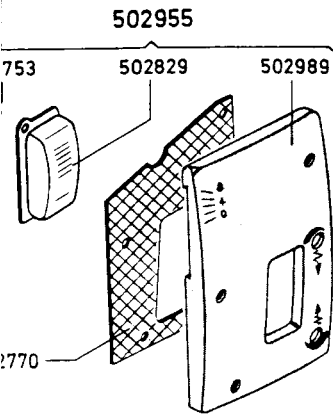


135,  
AND/OR NOT  
NUMBERS,  
30.

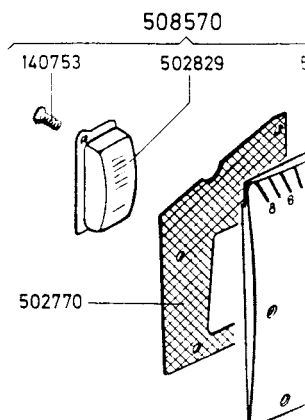
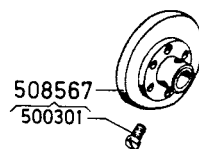
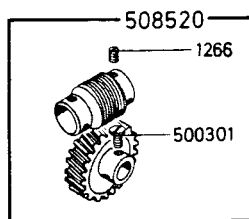
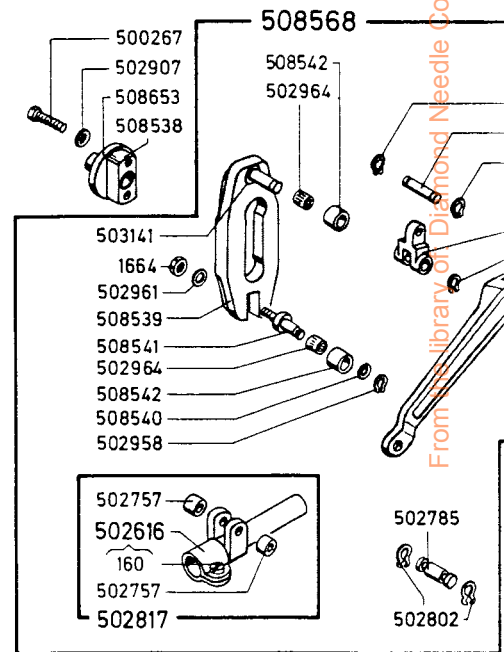
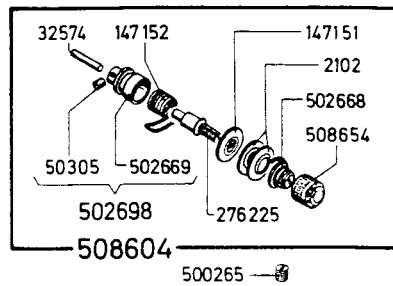
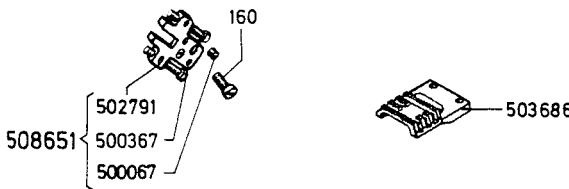
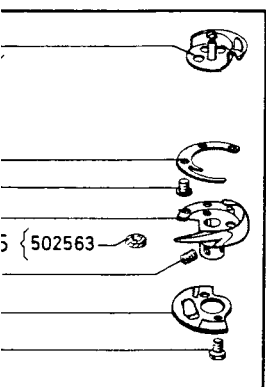
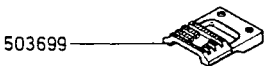
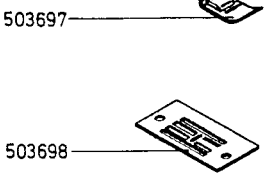
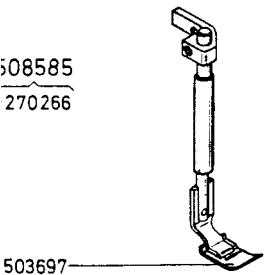


MACHINE 457 G 155

PARTS FOR MACHINE 457 G 155  
FOR PARTS NOT ILLUSTRATED AND/O  
INDICATED BY REFERENCE NUMBERS,  
REFER TO MACHINE 457 G 130 AND 4

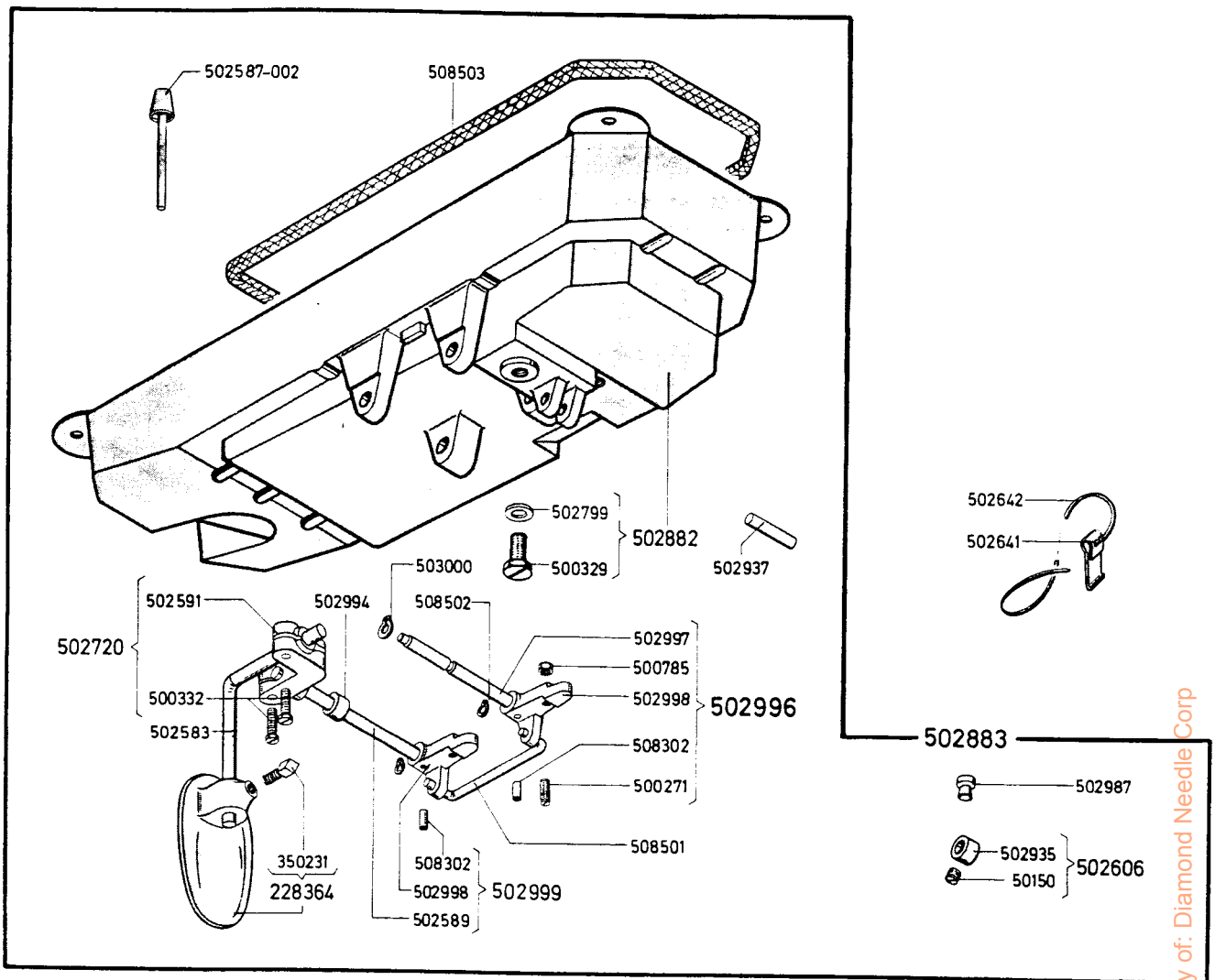


GX6  
ED AND/OR NOT  
NUMBERS,  
130 AND 457 G 135.

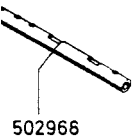


From the library of Diamond Needle Corp

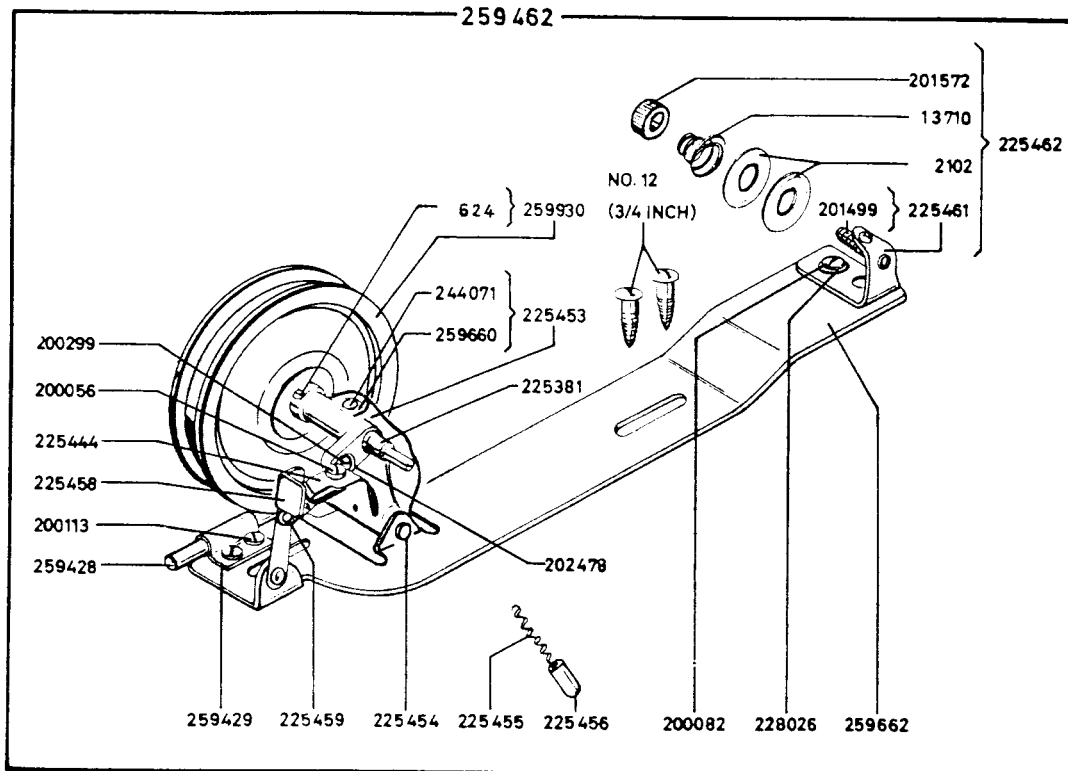
NOT  
G 135.



- 502793
- 502801
- 502793
- 508543
- 502958



## ACCESSORIES FOR MACHINES 457 G 130, 457 G 135, 457 G 155 AND 457 GX6



# PARTS FOR MACHINE 457 G 140

PART NO.	DESCRIPTION
000337-850	PRESSER FOOT SOLE (RIGHT) SCREW
000337-850	PRESSER FOOT SOLE (LEFT) SCREW
000624-833	FEED BAR HINGE PIN SET SCREW
000853-833	PRESSER FOOT BRACKET SET SCREW
001177-850	FEED CONTROL CONNECTION CRANK PINCH SCREW
001259-833	FEED CONTROL CAM WORM WHEEL AND WORM GEAR
001664-850	FEED CONTROL CAM FOLLOWER ARM RETAINING NUT
008752-14-1	NEEDLE (3)
008752-16-1	NEEDLE (3)
051775-850	FEED CONTROL CONNECTION CRANK ADJUSTING LOCK NUT
241422	PRESSER FOOT COMPENSATING SHANK SPRING
241424	PRESSER FOOT SOLE HINGE PIN (LEFT)
241424	PRESSER FOOT SOLE HINGE PIN (RIGHT)
266008	FEED DOG
500014-850	FEED CONTROL CAM MOUNTING BRACKET BUSHING SET SCREW
500196-814	MACHINE GROUNDING WIRE SCREW
500257-850	FEED DRIVING ROCK SHAFT CRANK PINCH SCREW
500267-850	FEED CONTROL CAM MOUNTING BRACKET SCREW (3)
500301-850	FEED CONTROL CAM WORM WHEEL AND WORM GEAR SCREW (2)
500301-850	FEED CONTROL CAM SET SCREW (2)
500301-850	FEED CONTROL CAM SET SCREW (2) (FOR ACCESSORIES)
500305-850	PRESSER FOOT COMPENSATING CONNECTION HINGE SCREW
500306-850	FEED BAR LIFTING LINK HINGE PIN PINCH SCREW
500397-805	FEED CONTROL CONNECTION HINGE SCREW
500404-833	SEPARATOR BLOCK SCREW (5)
500763	FEED CONTROL CONNECTION LOCK NUT
502541	FEED BAR HINGE PIN
502542	FEED BAR HINGE PIN OILING FELT CPL.
502544	FEED BAR HINGE PIN THRUST WASHER (2)
502559	FEED DRIVING ROCK SHAFT CRANK WITH 500257
502710	FEED DRIVING ROCK SHAFT CRANK WITH 624 AND 502559
502744	FEED CONTROL CAM FOLLOWER ARM RETAINING RING
502769	FEED CONTROL CAM MOUNTING BRACKET POSITION PIN (2)
502802	FEED CONTROL CAM FOLLOWER ARM HINGE PIN RETAINING RING
502832	FEED REGULATING SHAFT PLUG (BACK)
502960	FEED CONTROL CAM FOLLOWER (2)
502961	FEED CONTROL CAM FOLLOWER BELLEVILLE WASHER
502963	FEED CONTROL CAM FOLLOWER ARM WASHER
502964	FEED CONTROL CAM FOLLOWER ARM NEEDLE BEARING (2)
507986	ARM PLUG (FRONT)
502990	FEED CONTROL CAM FOLLOWER ARM BELLEVILLE WASHER
503090	FEED CONTROL CAM FOLLOWER ARM WASHER (2)
503652	PRESSER FOOT BRACKET WITH 853
503653	PRESSER FOOT COMPENSATING CONNECTION
503656	PRESSER FOOT COMPENSATING SHANK (RIGHT)
503656	PRESSER FOOT COMPENSATING SHANK (LEFT)
503657	PRESSER FOOT COMPENSATING SHANK HINGE PIN
503769	PRESSER FOOT (HINGED) COMPENSATING
503770	PRESSER FOOT COMPENSATING SHANK CPL. (RIGHT) NOS. 241424, 503656 AND 503771
503771	PRESSER FOOT SOLE (RIGHT) WITH 337
503772	PRESSER FOOT COMPENSATING SHANK CPL. (LEFT) NOS. 241424, 503656 AND 503773
503773	PRESSER FOOT SOLE (LEFT) WITH 337
503774	THROAT PLATE
503775-006	SEPARATOR BLOCK WITH 500404 (FOR ACCESSORIES)
503775-008	SEPARATOR BLOCK WITH 500404 (FOR ACCESSORIES)
503775-010	SEPARATOR BLOCK WITH 500404
503775-012	SEPARATOR BLOCK WITH 500404 (FOR ACCESSORIES)
503775-014	SEPARATOR BLOCK WITH 500404 (FOR ACCESSORIES)
503776	FEED DOG (ACCESSORIES)
507523	FEED CONTROL CONNECTION ADJUSTING SCREW BELLEVILLE WASHER
508640	MACHINE PLUG
508783	FEED DRIVING ROCK SHAFT BUSHING (RIGHT)
508785	FEED CONTROL CAM WORM WHEEL AND WORM GEAR CPL. WITH 1259 AND 500301
508787	FEED CONTROL CAM MOUNTING BRACKET WITH 500014
508788	FEED CONTROL CAM SHAFT
508789	FEED CONTROL CAM WITH 500301
508790	FEED CONTROL CAM FOLLOWER CPL. NOS. 1664, 502802, 502960, 502961, 502964, 508791, 508792 AND 508793
508791	FEED CONTROL CAM FOLLOWER ARM HINGE SCREW
508792	FEED CONTROL CAM FOLLOWER ARM HINGE SCREW WASHER
508793	FEED CONTROL CAM FOLLOWER ARM HINGE PIN
508794	FEED CONTROL CONNECTION ADJUSTING SCREW
508795	FEED CONTROL CONNECTION CPL. NOS. 500763, 508796 AND 508797
508796	FEED CONTROL CONNECTION BALL JOINT (FEMALE)
508797	FEED CONTROL CONNECTION BALL JOINT (MALE)
508798	FEED CONTROL CONNECTION CRANK WITH 1177
508799	FEED DRIVING ROCK SHAFT WITH 502560-002
508800	FEED DRIVING ROCK SHAFT CRANK CPL. NOS. 502541, 502542, 502544, 502710 AND 508801
508801	FEED BAR WITH 500306, 508802 AND 508803
508802	FEED BAR LIFTING BLOCK
508803	FEED BAR LIFTING BLOCK ECCENTRIC PIN
508804	FEED CONTROL CAM (FOR ACCESSORIES) WITH TWO 500301
508805	ROTARY TAKE-UP
508806	ROTARY TAKE-UP GUARD
512008	MACHINE GROUNDING WIRE WASHER
512021	MACHINE GROUNDING WIRE LOCK WASHER
512035	FEED CONTROL CAM MOUNTING BRACKET SCREW LOCK WASHER
603271	MACHINE GROUNDING WIRE
603291	MACHINE GROUNDING WIRE SYMBOL